

English User Manual **PHD779** Low-Profile Weighing Platforms
Deutsch Benutzerhandbuch **PHD779** Flachbett-Wägebrücke
Français Guide de l'utilisateur **PHD779** Plates-formes de pesage extraplates
Español Manual de usuario **PHD779** Plataformas de pesada de perfil bajo
Italiano Manuale per l'utente **PHD779** Piattaforme di pesata a basso profilo
Nederlands Handleiding **PHD779** Weegplatformen met laag profiel



METTLER TOLEDO

User Manual **PHD779**

English

Benutzerhandbuch **PHD779**

Deutsch

Guide de l'utilisateur **PHD779**

Français

Manual de usuario **PHD779**

Español

Manuale per l'utente **PHD779**

Italiano

Handleiding **PHD779**

Nederlands

Table of Contents

1	Safety instructions	4
1.1	Intended use.....	4
1.2	Misuse.....	4
1.3	General safety precautions	4
1.4	Safety precautions for operation in hazardous areas.....	4
2	Introduction	5
2.1	PHD779 Low-profile weighing platforms.....	5
2.2	About this user manual.....	5
2.3	Further documents.....	5
3	Operation	6
3.1	Checking the location	6
3.2	Function check.....	6
3.3	Checking ramps.....	6
3.4	Operating PHD779 Mobile	7
3.4.1	Establishing the moving mode	8
3.4.2	Establishing the weighing mode	8
3.5	Operating PHD779 Lift.....	9
3.6	Important notes.....	10
3.7	Installation, service and repair	10
4	Maintenance	11
4.1	Regular check.....	11
4.1.1	PHD779 Static / PHD779 Lift	11
4.1.2	PHD779 Mobile.....	11
4.2	Notes on cleaning	12
4.3	Subsequent treatment	13
4.4	Disposal	13
5	Technical data and operating limits	14
5.1	Maximum verification scale interval.....	14
5.2	Maximum permissible load	14
5.3	Ambient conditions.....	14
5.4	Specifications for Category 3	14

METTLER TOLEDO Service

Congratulations on choosing the quality and precision of METTLER TOLEDO. Proper use of your new equipment according to this Manual and regular calibration and maintenance by our factory-trained service team ensures dependable and accurate operation, protecting your investment. Contact us about a service agreement tailored to your needs and budget. Further information is available at ► www.mt.com/service.

There are several important ways to ensure you maximize the performance of your investment:

- 1 **Register your product:** We invite you to register your product at www.mt.com/productregistration so we can contact you about enhancements, updates and important notifications concerning your product.
- 2 **Contact METTLER TOLEDO for service:** The value of a measurement is proportional to its accuracy – an out of specification scale can diminish quality, reduce profits and increase liability. Timely service from METTLER TOLEDO will ensure accuracy and optimize uptime and equipment life.
 - ➔ **Installation, Configuration, Integration and Training:** Our service representatives are factory-trained weighing equipment experts. We make certain that your weighing equipment is ready for production in a cost effective and timely fashion and that personnel are trained for success.
 - ➔ **Initial Calibration Documentation:** The installation environment and application requirements are unique for every industrial scale so performance must be tested and certified. Our calibration services and certificates document accuracy to ensure production quality and provide a quality system record of performance.
 - ➔ **Periodic Calibration Maintenance:** A Calibration Service Agreement provides on-going confidence in your weighing process and documentation of compliance with requirements. We offer a variety of service plans that are scheduled to meet your needs and designed to fit your budget.

1 Safety instructions

1.1 Intended use

PHD779 Low-profile weighing platforms are part of a modular weighing system consisting of a METTLER TOLEDO weighing indicator and at least one weighing platform.

- Use the weighing platform only for weighing in accordance with this user manual.
- The weighing platform is intended for indoor use only.
- Any other type of use is considered as not intended.

Legal metrology

- For use in legal metrology only use approved weighing platforms.
- When using the weighing platform in legal metrology, the operating company is responsible for observing all the national weights and measures requirements.
- Please contact the METTLER TOLEDO service organization for questions related to the use in legal for trade applications.

1.2 Misuse

- Do not use the weighing platform other than for weighing operations.
- Do not modify the weighing platform.
- Do not use the weighing platform beyond the limits of technical specifications.
- Do not use the weighing platform for storing goods.
- Avoid dropping goods on the weighing platform.
- Do not use the weighing platform in any other environment or category than specified in section [Technical data and operating limits ▶ Page 14].

1.3 General safety precautions

- Use only genuine METTLER TOLEDO accessories and cable assemblies with this product. Use of unauthorized or counterfeit accessories or cable assemblies may result in voided warranty, improper or erroneous operation, damage to property (including the unit) or personal injury.

1.4 Safety precautions for operation in hazardous areas

PHD779 Low-profile weighing platforms are approved for hazardous areas of Category 3 (Zone 2/22).

The operating company is responsible for the safe operation of the explosion protected weighing system.

- Strictly observe the safety instructions of the operating company.
- Comply with all national regulations for operation in hazardous areas, as well as with the instructions and information in this user manual.

2 Introduction

2.1 PHD779 Low-profile weighing platforms

This user manual focuses on the products listed below.

The PHD779 product family consists of different product models and a variety of product options.

Models:

- PHD779 Static
- PHD779 Lift
- PHD779 Mobile

Properties:

- stainless steel
- smooth surface
- suitable for wet environment
- approved for Category 3 (Zone 2/22)

Available versions:

- various sizes and capacities
- approved or non-approved

2.2 About this user manual

This user manual contains all information for the **operator** of the PHD779 Low-profile weighing platforms.

- Read this user manual carefully before use.
- Keep this user manual for future reference.
- Pass this user manual to any future owner or user of the product.



2.3 Further documents

In addition to this printed user manual, you can download the following documents from ► <http://www.mt.com>:

- Brochure/Datasheet

Type approval documents for use in hazardous areas

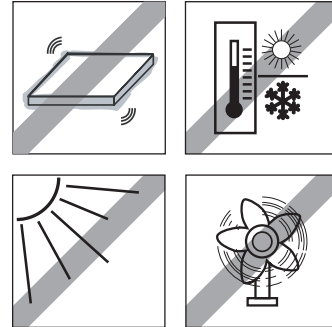
Mechanical assessment of weighing platforms for Category 3	PHD779	BVS 23 ATEX H/B 018
Category 3 load cell	Load cell SLB615d	14ATEX0030X

3 Operation

3.1 Checking the location

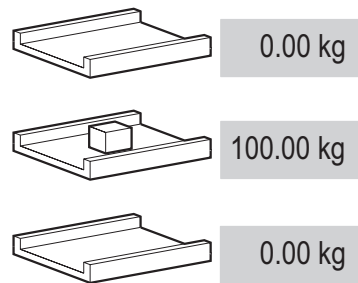
The correct location is crucial for the accuracy of the weighing results.

- Ensure that the location of the weighing platform is stable, vibration-free and horizontal.
- Observe the following environmental conditions:
 - No heavy vibrations
 - No direct sunlight
 - No excessive temperature fluctuations
 - No strong drafts



3.2 Function check

- 1 Make sure that the weighing platform is connected to a weighing terminal and that the weighing terminal is switched on.
- 2 Make sure that the weighing platform is unloaded and the display of the weighing terminal shows 0.
- 3 Load the weighing platform.
 - ➔ The indicator must show a value different from 0.
- 4 Unload the weighing platform.
 - ➔ The indicator must return to 0.

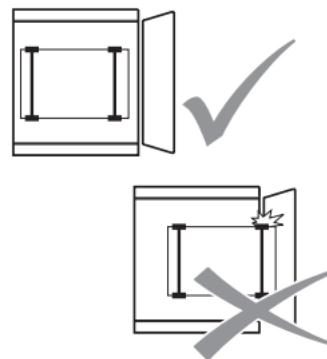


Verification test

For a verification test refer to the user manual of the connected weighing terminal. If the verification seal is broken, the verification is no longer valid.

3.3 Checking ramps

- 1 Make sure that during the weighing process all wheels of the transport vehicle are on the load plate.
- 2 Make sure that the gap between the weighing platform and ramp is free from dirt deposits.



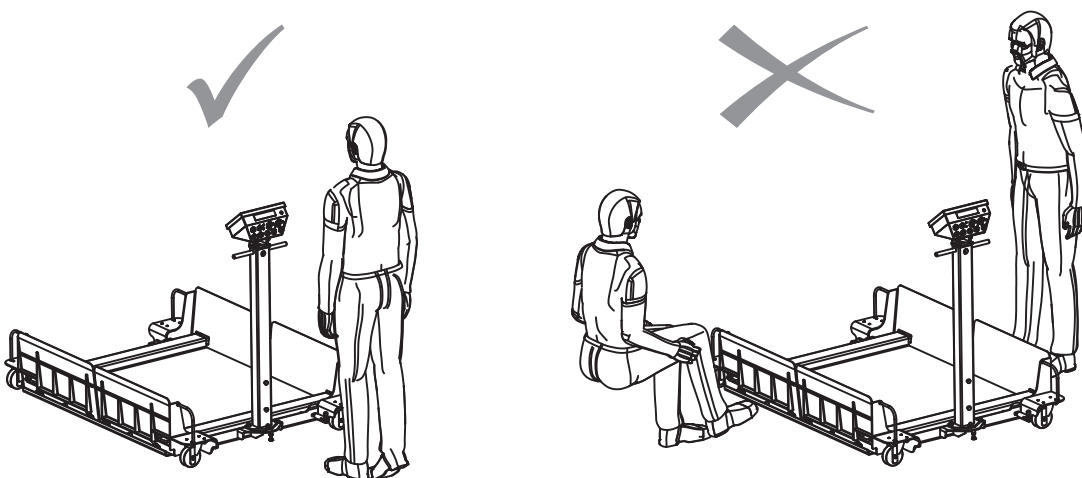
3.4 Operating PHD779 Mobile



WARNING

Danger of crushing

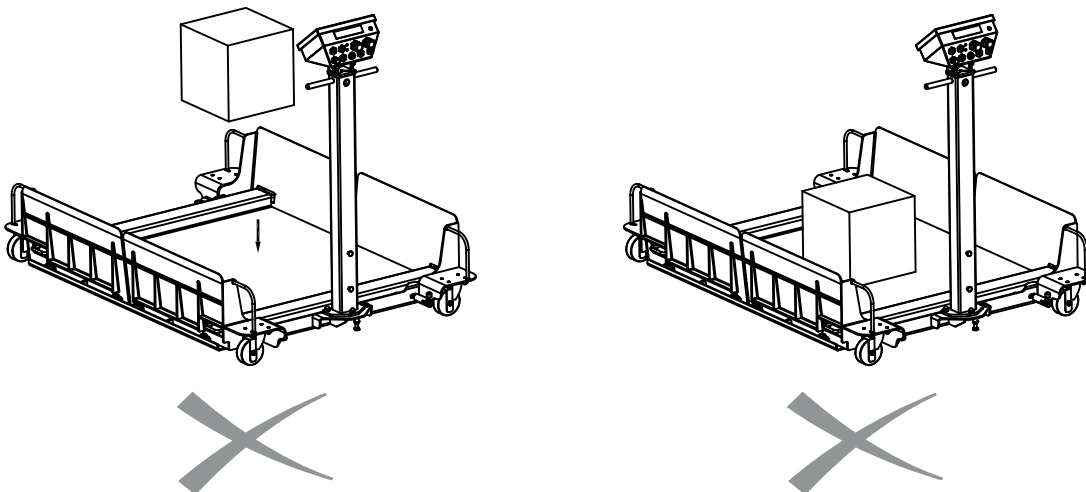
- 1 Only qualified personnel may operate the mobile weighing platform.
- 2 Operate the mobile weighing platform only from the side.
- 3 Do not stand in areas where the ramps may flip down.



CAUTION

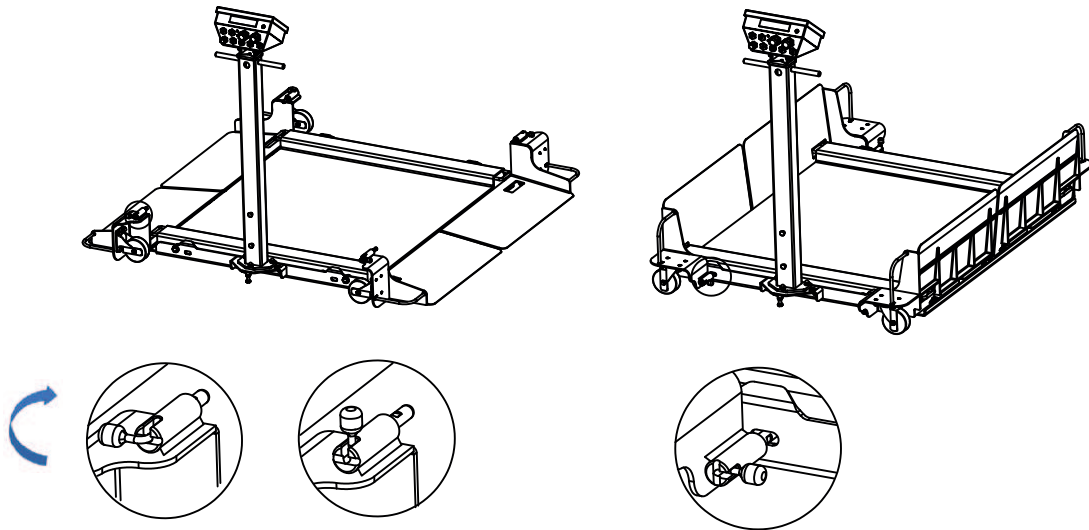
Damage to and/or malfunction of the weighing platform

- 1 Weighing samples or other loads are not permitted on the mobile weighing platform while moving it.
- 2 Weighing samples or other loads are not permitted on the mobile weighing platform while the ramps are flipped up.
- 3 Put on weighing samples only in weighing mode.
- 4 Ensure that the connection cable does not touch the floor.
- 5 Ensure that the grounding cable is disconnected before moving the weighing platform in a hazardous environment.
- 6 Only use the handle on the column to move the weighing platform.
- 7 Do not move the weighing platform when there is any staff on it.



3.4.1 Establishing the moving mode

- 1 Rotate the plunger pin from horizontal direction to vertical direction.
- 2 Grasp the handle of the ramp and flip up the ramp.
- 3 Insert the plunger pin into the slot on the frame side.



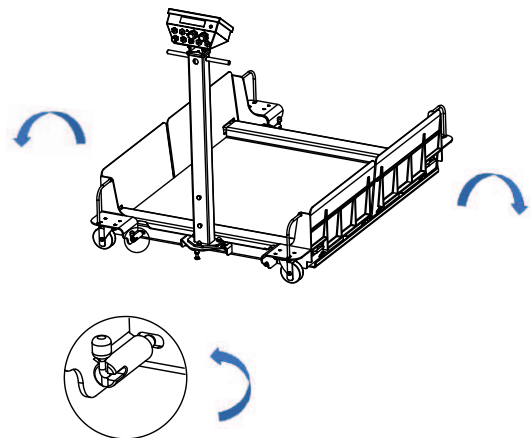
3.4.2 Establishing the weighing mode

Note

Before establishing the weighing mode:

- Make sure the floor is level within ± 2.5 mm.
- Make sure the weighing platform is positioned correctly.
- Make sure the weighing platform is level and adjust it if needed.
- For application in a hazardous environment, make sure the grounding cable is connected before leveling the weighing platform.

- 1 Move the weighing platform to the selected site.
- 2 Pull out the plunger pin. Rotate the plunger pin to vertical direction.
- 3 Grasp the handle and flip down the ramp gently until lying flat.



3.5 Operating PHD779 Lift



WARNING

Danger of crushing

- 1 Only instructed personnel may operate the PHD779 Lift. It is recommended to wear a safety helmet and safety shoes.
- 2 Do not walk across the lifting frame as it might be a trip hazard and could damage the gas springs.
- 3 Lift and lower the platform only from the side. Ensure that no people are in the danger area in front of or under the opened weighing platform.



WARNING

Failure of the gas springs

Even minor damage, corrosion or flecks of paint on the piston rod may lead to failure of the gas springs.

Temperatures outside the specified temperature range may lead to failure of the gas springs.

- 1 Do not operate the PHD779 Lift outside the temperature range of $-10\text{ }^{\circ}\text{C}$ to $+40\text{ }^{\circ}\text{C}$.
- 2 Protect the gas springs against soiling and damage.
- 3 If damage or soiling is detected, lock the lifting frame into a secure position and call the METTLER TOLEDO Service to verify or replace the gas springs.



CAUTION

Heavy weighing platform

- For safe and ergonomic lifting have a second person helping to lift the PHD779 Lift, especially for platform size 1500 x 1500 mm.

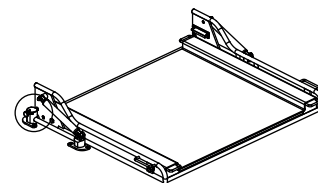
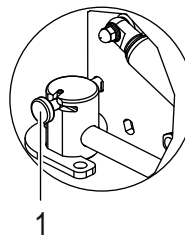
Typical lifting forces

The typical lifting forces to open the PHD779 Lift depend on the platform size and the ambient temperature. The lower the temperature, the higher the lifting forces needed.

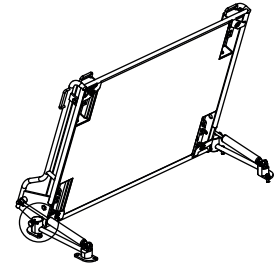
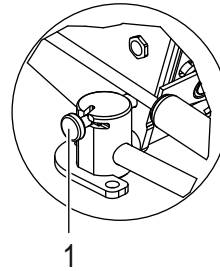
PHD779 Lift Platform size	Typical lifting forces	
	Ambient temp. $>5\text{ }^{\circ}\text{C}$	Ambient temp. $\leq 5\text{ }^{\circ}\text{C}$
650 x 650 mm ... 1250 x 1000 mm	<15 kg	<20 kg
1250 x 1250 mm ... 1500 x 1250 mm	<20 kg	<25 kg
1500 x 1500 mm	<25 kg	<30 kg

Procedure

- 1 Remove the front and rear ramps. Unlock the lock pins (1). For larger platforms, there are two locks on the front of the feet, too.
- 2 Stand on the side of the frame and lift the platform upwards.
 - ➔ The two pins lock automatically.
- 3 Verify that the two lock pins are effectively inserted into the lock holes.



- 4 Unlock the lock pins (1) and turn the platform down to the horizontal. For larger platforms, there are two locks on the front of the feet, too.
- 5 Check that the lock pins are effectively inserted into the lock holes.
- 6 Ensure the lifting frame is pressed on the ground.



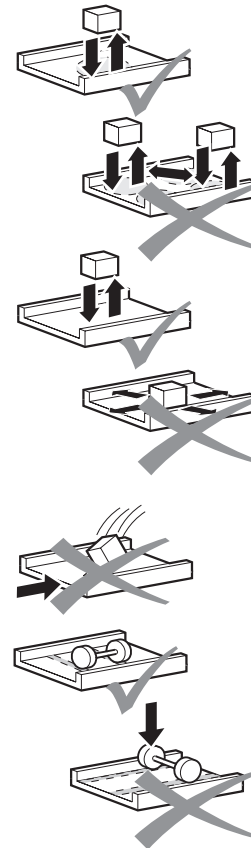
- 7 Reset the ramps.



3.6 Important notes

To achieve best weighing results observe the following:

- Place the weighing sample in the middle of the weighing platform.
- Avoid abrasive and wear processes.
- Avoid falling loads, shocks and lateral impacts.
- When travelling across recessed weighing platforms with pallet trucks, ensure that the axle load does not exceed the maximum side load, see [Maximum permissible load ▶ Page 14].



3.7 Installation, service and repair

For installation, configuration, service and repair of the weighing platforms contact the METTLER TOLEDO service.

4 Maintenance

Maintenance of the weighing platform is limited to regular cleaning and subsequent oiling for stainless steel versions.

- Have an authorized METTLER TOLEDO service representative inspect and calibrate the weighing platform periodically.
- If the weighing platform is used for legal-for-trade purposes, consult the local weights and measures authorities for minimum inspection requirements.
- Contact your local authorized METTLER TOLEDO service representative for information about periodic inspection and calibration service.

4.1 Regular check

- Check the weighing platform on a regular basis before using it, see the sections below.

4.1.1 PHD779 Static / PHD779 Lift

- 1 Oscillate the platform to make sure that the rocker pins are seated properly and there is no binding.
- 2 Make sure that all corners of the frame are supported and the platform does not rock.
- 3 Make sure that the home-run cable connections are not loose.
- 4 Check for debris between the platform and frame.



NOTICE

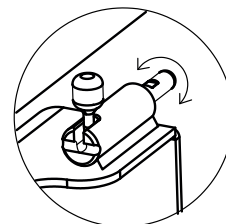
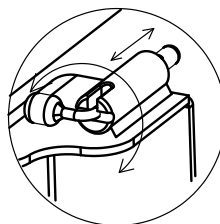
Service required

In case of returning vibrations when opening or closing the lifting frame or when noticing any deviations to the lifting force:

- 1 Do not resume work.
- 2 Call the METTLER TOLEDO Service.

4.1.2 PHD779 Mobile

- 1 Check the proper functioning of the plunger pin.
- 2 Make sure that the plunger pin is not loose when it is locked.
- 3 In case of frequent cleaning, lubricate the roller bearings of the moving rollers with long-life grease.
- 4 Make sure that the scroll wheels are not stuck.



Note

Under normal conditions of use, the rollers are maintenance-free.

4.2 Notes on cleaning



NOTICE

Damage to the weighing platform due to incorrect use of cleaning agents

- 1 Use only such cleaning agents that do not act on the plastics used in the weighing platform.
- 2 Only use disinfectants and cleaning agents in accordance with the manufacturer's instructions.
- 3 Do not use highly acidic, highly alkaline or highly chlorinated cleaning agents. Avoid substances with a high or low pH value since such substances increase the danger of corrosion.
- 4 Be particularly careful when cleaning the load cell.



NOTICE

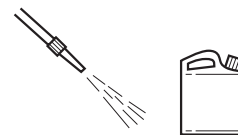
Special notes on cleaning PHD779 Lift

- 1 When using a water jet with a temperature higher than 60 °C, let the lifting frame cool down to a temperature of at least 40 °C before resuming work.
- 2 Wear a safety hat when cleaning the weighing platform in upright position.
- 3 Make sure that the cleaning agent will not cause any corrosion on the gas springs.
- 4 The cleaning agent must not corrode any brass components of the gas spring sealings.
- 5 Protect gas springs against soiling and damage.

- Remove dirt and deposits from the outside and inside of the weighing platform at regular intervals. The procedure depends both on the type of surface and the environmental conditions prevailing at the installation location.

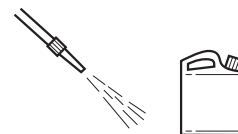
Cleaning in a wet environment

- Use a water jet up to 80 °C and maximum 8 bars, minimum distance 40 cm.
- Use mild cleaning agents.



Cleaning in a corrosive environment

- Use a water jet up to 80 °C and maximum 8 bars, minimum distance 40 cm.
- Remove corrosive substances at regular intervals.
- Only use disinfectants and cleaning agents in accordance with the manufacturer's specifications and instructions.



4.3 Subsequent treatment

In order to protect the weighing platform, carry out the following subsequent treatment:

- Rinse the weighing platform with clear water and remove cleaning agent completely.
- Dry off the weighing platform with a lint-free cloth.
- For stainless steel weighing platforms, treat the outside with food-grade oil.



4.4 Disposal

In conformance with the European Directive 2012/19/EU on Waste Electrical and Electronic Equipment (WEEE) this device may not be disposed of in domestic waste. This also applies to countries outside the EU, per their specific requirements.

Please dispose of this product in accordance with local regulations at the collecting point specified for electrical and electronic equipment. If you have any questions, please contact the responsible authority or the distributor from which you purchased this device. Should this device be passed on to other parties, the content of this regulation must also be related.



Disposal of gas springs

Damaged gas springs have to be replaced.



WARNING

Gas springs are under very high pressure.

- Call the METTLER TOLEDO Service or your local sales representative to replace and dispose of the damaged gas springs.

5 Technical data and operating limits

5.1 Maximum verification scale interval

The verification scale interval depends on the load cell and scale configuration.

The maximum verification scale interval is given below.

Capacity	Maximum verification scale interval in [kg]				
	1 x 3.000e SR	1 x 6.000e SR	2 x 3.000e MR	2 x 6.000e MR	2 x 10.000e MR
300 kg	0.1	0.05	150 kg / 0.05 300 kg / 0.1	120 kg / 0.02 300 kg / 0.05	200 kg / 0.02 300 kg / 0.05
600 kg	0.2	0.1	300 kg / 0.1 600 kg / 0.2	300 kg / 0.05 600 kg / 0.1	500 kg / 0.05 600 kg / 0.1
1200 kg	–	0.2	–	600 kg / 0.1 1200 kg / 0.2	–
1500 kg	0.5	–	600 kg / 0.2 1500 kg / 0.5	–	1000 kg / 0.1 1500 kg / 0.2
2000 kg	1.0 (2.000 e)	0.5	1500 kg / 0.5 2000 kg / 1.0	1200 kg / 0.2 2000 kg / 0.5	1000 kg / 0.1 2000 kg / 0.2

SR: Single Range

MR: Multi Range

5.2 Maximum permissible load

All weighing platforms are equipped with an overload protection. However, if the load exceeds the maximum permissible load, damage to mechanical parts may occur.

The static load-bearing capacity, i.e. the maximum permissible load, is dependent on the type of loading (positions A – C).

Platform	Position			
	A	B	C	
PHD779 300	880 kg	440 kg	220 kg	
PHD779 600	2540 kg	1270 kg	635 kg	
PHD779 1200	2540 kg	1270 kg	635 kg	
PHD779 1500	5280 kg	2640 kg	1320 kg	
PHD779 2000	5280 kg	2640 kg	1320 kg	

5.3 Ambient conditions

The weighing platform may only be operated in the range of –10 °C to + 40 °C.

5.4 Specifications for Category 3

You will find the specifications for Category 3 in the corresponding type approval documents, see table in [Further documents ▶ Page 5].

Inhaltsverzeichnis

1	Sicherheitshinweise	4
1.1	Bestimmungsgemäße Verwendung	4
1.2	Missbräuchliche Verwendung	4
1.3	Allgemeine Sicherheitsvorkehrungen	4
1.4	Sicherheitsvorkehrungen für den Betrieb in explosionsgefährdeten Bereichen	4
2	Einführung	5
2.1	PHD779 Flachbett-Wägebrücken	5
2.2	Zu dieser Bedienungsanleitung	5
2.3	Weitere Dokumente	5
3	Betrieb	6
3.1	Prüfen des Standorts	6
3.2	Funktionsprüfung	6
3.3	Prüfen der Rampen	6
3.4	Betrieb der PHD779 Mobile	7
3.4.1	Fahrmodus einrichten	8
3.4.2	Wägemodus einrichten	8
3.5	Betrieb der PHD779 Liff	9
3.6	Wichtige Hinweise	10
3.7	Installation, Service und Reparatur	10
4	Wartung	11
4.1	Regelmäßige Überprüfung	11
4.1.1	PHD779 Static / PHD779 Liff	11
4.1.2	PHD779 Mobile	11
4.2	Hinweise zur Reinigung	12
4.3	Nachbehandlung	13
4.4	Entsorgung	13
5	Technische Daten und Betriebsgrenzen	14
5.1	Maximaler Eichwert	14
5.2	Maximal zulässige Belastung	14
5.3	Umgebungsbedingungen	14
5.4	Spezifikationen Kategorie 3	14

de

METTLER TOLEDO Service

Herzlichen Glückwunsch zu Ihrer Entscheidung für die Qualität und Präzision von METTLER TOLEDO. Die richtige Verwendung Ihres neuen Geräts entsprechend diesem Benutzerhandbuch sowie die regelmäßige Kalibrierung und Wartung durch unser geschultes Kundendienstteam gewährleisten den zuverlässigen und genauen Betrieb und schützen Ihre Investition. Setzen Sie sich mit uns in Verbindung, um eine Servicevereinbarung entsprechend Ihren Anforderungen und Ihrem Budget abzuschließen. Weitere Informationen können unter ► www.mt.com/service abgerufen werden.

Es gibt verschiedene Möglichkeiten zur Maximierung der Ergebnisse Ihrer Investition:

- 1 **Registrieren Sie Ihr Produkt:** Wir laden Sie ein, Ihr Produkt unter www.mt.com/productregistration zu registrieren.
So können wir Sie über Verbesserungen, Aktualisierungen und wichtige Benachrichtigungen für Ihr Produkt informieren.
- 2 **Wenden Sie sich an METTLER TOLEDO, wenn eine Wartung erforderlich ist:** Ein Messergebnis ist nur so viel wert wie seine Genauigkeit – eine nicht spezifikationskonforme Waage stellt ein Qualitäts-, Gewinn- und Haftungsrisiko dar. Die termingerechte Wartung durch METTLER TOLEDO sorgt für Genauigkeit sowie maximale Verfügbarkeit und Lebensdauer.
 - ➔ **Installation, Konfiguration, Integration und Schulung:** Unsere Servicemitarbeiter sind werksseitig geschulte Experten für Wägausrüstung. Wir stellen sicher, dass Ihre Wägausrüstung rasch und kostengünstig betriebsbereit ist und dass Ihre Mitarbeiter optimal geschult werden.
 - ➔ **Dokumentation der Erstkalibrierung:** Die Installationsumgebung und Applikationsanforderungen sind für jede Industriewaage einzigartig, daher muss die Leistung überprüft und bestätigt werden. Im Rahmen unserer Kalibrierservices prüfen und dokumentieren wir die Genauigkeit und stellen somit die Produktionsqualität sicher. Außerdem liefern wir erstklassige Systemleistungsdaten.
 - ➔ **Regelmäßige Kalibrierung und Wartung:** Ein Kalibrierservicevertrag bietet Ihnen kontinuierliches Vertrauen in Ihren Wägeprozess sowie eine Dokumentation der Einhaltung von Vorschriften. Wir haben zahlreiche Servicepläne im Angebot, die Ihre Bedürfnisse und Ihr Budget im Blick haben.

1 Sicherheitshinweise

1.1 Bestimmungsgemäße Verwendung

Flachbett-Wägebrücken PHD779 sind Teil eines modularen Wägesystems, bestehend aus einem Wägeterminal von METTLER TOLEDO als Anzeige und mindestens einer Wägebrücke.

- Die Wägebrücke darf ausschließlich für Wägevorgänge in Übereinstimmung mit dieser Bedienungsanleitung verwendet werden.
- Die Wägebrücke ist nur zur Verwendung im Innenbereich bestimmt.
- Jede andere Art der Verwendung gilt als nicht bestimmungsgemäß.

Eichpflichtiger Verkehr

- Für eine Verwendung im eichpflichtigen Verkehr nur geeichte Wägebrücken verwenden.
- Bei Verwendung der Wägebrücke im eichpflichtigen Verkehr ist der Betreiber für die Einhaltung aller Vorschriften der nationalen Eichbehörde zuständig.
- Wenden Sie sich bei Fragen bezüglich des Einsatzes in eichpflichtigen Anwendungen an die METTLER TOLEDO Serviceorganisation.

1.2 Missbräuchliche Verwendung

- Die Wägebrücke ausschließlich für Wägevorgänge verwenden.
- Keine Änderungen an der Wägebrücke vornehmen.
- Die Wägebrücke nicht für den Betrieb außerhalb der in den technischen Daten vorgegebenen Grenzen verwenden.
- Die Wägebrücke nicht als Aufbewahrungsort von Gütern verwenden.
- Das Fallenlassen von Gegenständen auf die Wägebrücke vermeiden.
- Die Wägebrücke in keiner anderen Umgebung oder Kategorie verwenden, als in Abschnitt [Technische Daten und Betriebsgrenzen ▶ Seite 14] vorgegeben ist.

1.3 Allgemeine Sicherheitsvorkehrungen

- Ausschließlich Original-Zubehörteile und -Kabelbaugruppen von METTLER TOLEDO mit diesem Produkt verwenden. Die Verwendung nicht zugelassener oder gefälschter Zubehörteile oder Kabelbaugruppen kann zum Erlöschen der Garantie führen und unsachgemäßen oder fehlerhaften Betrieb, Sachbeschädigung (einschließlich des Geräts) oder Personenverletzungen zur Folge haben.

1.4 Sicherheitsvorkehrungen für den Betrieb in explosionsgefährdeten Bereichen

Flachbett-Wägebrücken PHD779 sind zugelassen für explosionsgefährdete Bereiche der Kategorie 3 (Zone 2/22).

Der Betreiber ist für den sicheren Betrieb des explosionsgeschützten Wägesystems verantwortlich.

- Die Sicherheitsanweisungen des Betreibers sind strikt zu befolgen.
- Alle nationalen Vorschriften zum Betrieb in explosionsgefährdeten Bereichen sowie die Anleitungen und Informationen in dieser Bedienungsanleitung sind einzuhalten.

2 Einführung

2.1 PHD779 Flachbett-Wägebrücken

In dieser Bedienungsanleitung wird der Schwerpunkt auf die nachfolgend aufgelisteten Produkte gelegt. Die PHD779-Produktfamilie besteht aus verschiedenen Produktmodellen und einer Vielzahl von Produktoptionen.

Modelle:

- PHD779 Static
- PHD779 Lift
- PHD779 Mobile

Eigenschaften:

- Edelstahl
- glatte Oberfläche
- geeignet für feuchte Umgebungen
- zugelassen für Kategorie 3 (Zone 2/22)

Erhältliche Versionen:

- eine Vielzahl an Größen und Kapazitäten
- zugelassen oder nicht zugelassen

2.2 Zu dieser Bedienungsanleitung

Diese Bedienungsanleitung enthält alle Informationen für den **Bediener** der Flachbett-Wägebrücken PHD779.

- Diese Bedienungsanleitung vor der Verwendung sorgfältig durchlesen.
- Diese Bedienungsanleitung für künftige Referenzzwecke aufbewahren.
- Diese Bedienungsanleitung an künftige Eigentümer oder Benutzer des Produkts weitergeben.



2.3 Weitere Dokumente

Außer dieser Bedienungsanleitung in Druckform können Sie über ► <http://www.mt.com> die folgenden Dokumente herunterladen:

- Broschüre/Datenblatt

Dokumente zur Bauartzulassung für den Einsatz in explosionsgefährdeten Bereichen

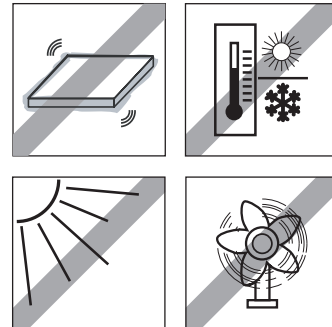
Mechanische Bewertung von Wägebrücken für Kategorie 3	PHD779	BVS 23 ATEX H/B 018
Kategorie 3 Wägezelle	Wägezelle SLB615d	14ATEX0030X

3 Betrieb

3.1 Prüfen des Standorts

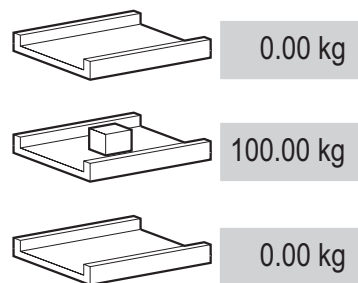
Der richtige Standort ist entscheidend für die Genauigkeit der Wägeregebnisse.

- Sicherstellen, dass der Standort der Wägebrücke stabil, erschütterungsfrei und horizontal ist.
- Folgende Umweltbedingungen beachten:
 - Keine starken Vibrationen
 - Keine direkte Sonneneinstrahlung
 - Keine übermäßigen Temperaturschwankungen
 - Kein starker Luftzug



3.2 Funktionsprüfung

- 1 Sicherstellen, dass die Wägebrücke mit einem Wägeterminal verbunden ist und dass das Wägeterminal eingeschaltet ist.
- 2 Sicherstellen, dass die Wägebrücke entlastet ist und die Anzeige des Wägeterminals 0 anzeigt.
- 3 Wägebrücke belasten.
 - ➔ Die Anzeige muss einen Wert ungleich 0 anzeigen.
- 4 Wägebrücke entlasten.
 - ➔ Die Anzeige muss auf 0 zurückgehen.

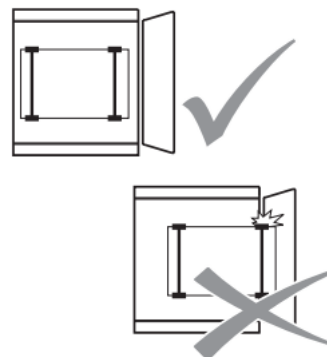


Eichtest

Für Informationen zum Eichtest siehe die Bedienungsanleitung des Wägeterminals. Wird das Eichsiegel beschädigt, ist die Eichung nicht länger gültig.

3.3 Prüfen der Rampen

- 1 Sicherstellen, dass sich während des Wägeprozesses alle Räder des Transportfahrzeugs auf der Lastplatte befinden.
- 2 Darauf achten, dass sich im Spalt zwischen Wägebrücke und Rampe keine Schmutzablagerungen befinden.



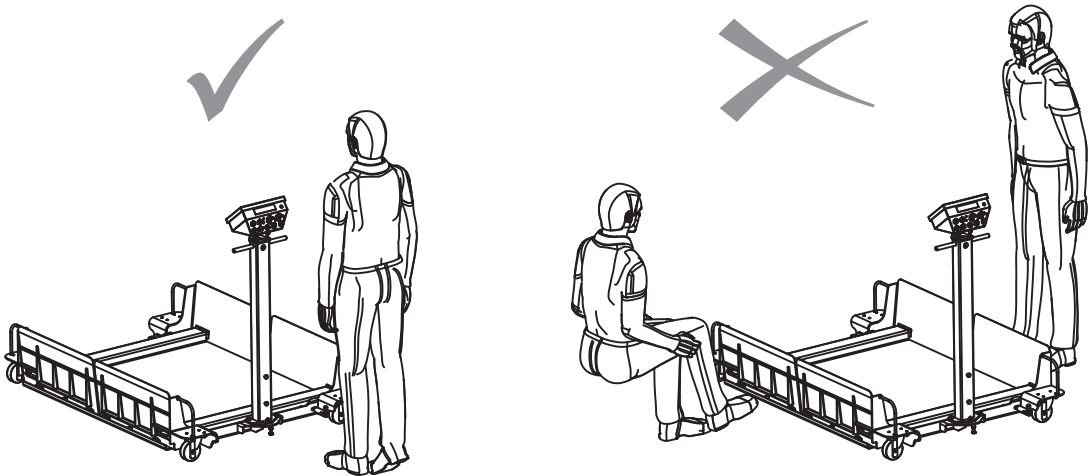
3.4 Betrieb der PHD779 Mobile



⚠️ WARNUNG

Quetschgefahr

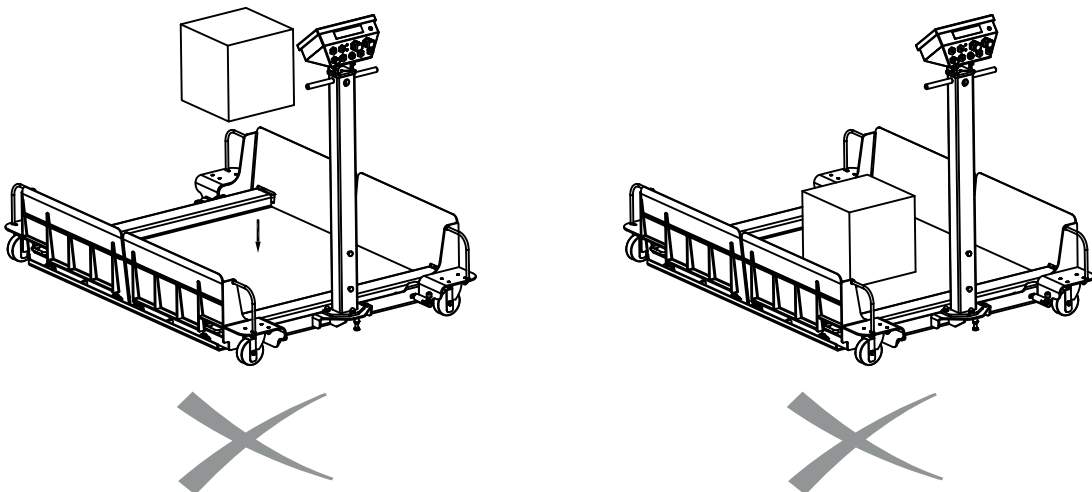
- 1 Mobile Wägebrücken dürfen nur von qualifiziertem Personal bedient werden.
- 2 Mobile Wägebrücken nur von der Seite bedienen.
- 3 Den Aufenthalt in Bereichen vermeiden, in denen die Rampen herunterklappen können.



⚠️ VORSICHT

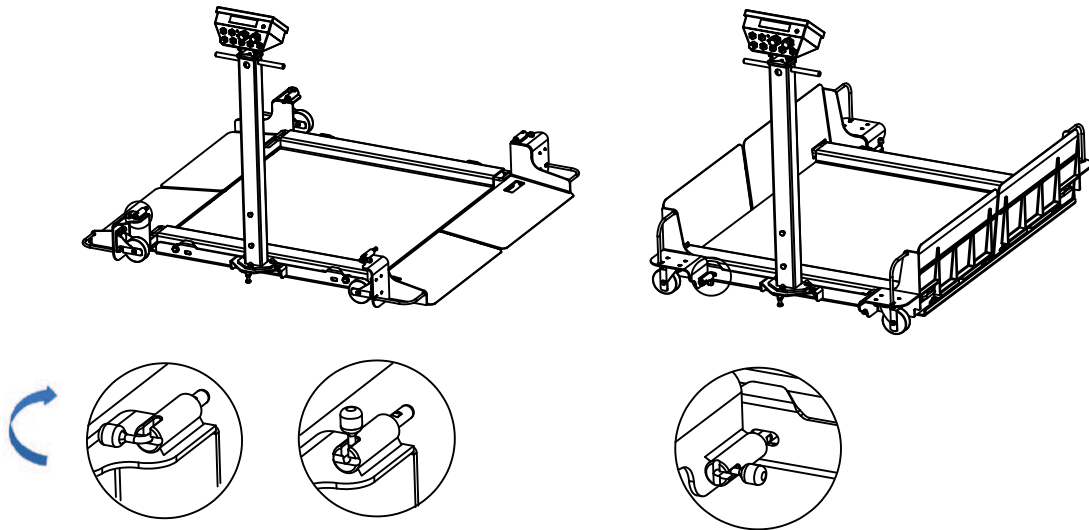
Beschädigung und/oder Fehlfunktion der Wägebrücke

- 1 Beim Fortbewegen der mobilen Wägebrücke dürfen sich keine Wägegüter oder andere Lasten auf der Wägebrücke befinden.
- 2 Bei hochgeklappten Rampen dürfen sich keine Wägegüter oder andere Lasten auf der mobilen Wägebrücke befinden.
- 3 Wägegüter nur im Wägemodus auflegen.
- 4 Sicherstellen, dass das Verbindungskabel den Boden nicht berührt.
- 5 Vor dem Bewegen der Wägebrücke in eine explosionsgefährdete Umgebung sicherstellen, dass das Erdungskabel abgezogen ist.
- 6 Zum Fortbewegen der Wägebrücke ausschließlich den Griff am Stativ verwenden.
- 7 Die Wägebrücke nicht fortbewegen, wenn sich Personal darauf befindet.



3.4.1 Fahrmodus einrichten

- 1 Den Raststift von der horizontalen in die vertikale Richtung drehen.
- 2 Den Griff der Rampe ergreifen und die Rampe hochklappen.
- 3 Den Raststift in die Aussparung an der Rahmenseite einstecken.



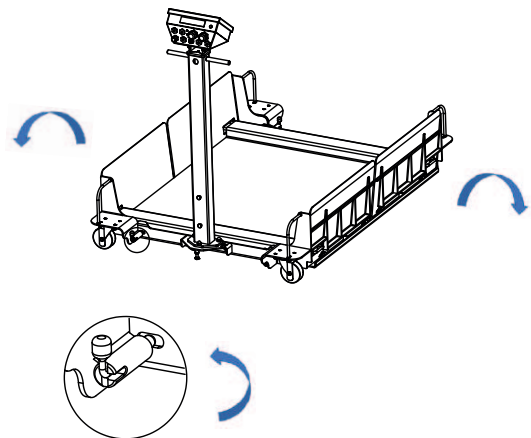
3.4.2 Wägemodus einrichten

Hinweis

Vor dem Einrichten des Wägemodus:

- Sicherstellen, dass der Boden mit einer Toleranz von $\pm 2,5$ mm eben ist.
- Sicherstellen, dass die Wägebrücke korrekt positioniert ist.
- Sicherstellen, dass die Wägebrücke waagrecht steht, und bei Bedarf entsprechend einstellen.
- Bei Verwendung in explosionsgefährdeter Umgebung muss das Erdungskabel vor dem Nivellieren der Wägebrücke angeschlossen werden.

- 1 Die Wägebrücke an den gewählten Aufstellort transportieren.
- 2 Den Raststift herausziehen. Den Raststift in die vertikale Richtung drehen.
- 3 Den Griff ergreifen und die Rampe vorsichtig herunterklappen, bis sie flach liegt.



3.5 Betrieb der PHD779 Lift



⚠️ WARNUNG

Quetschgefahr

- 1 Die PHD779 Lift darf nur von eingewiesenem Personal bedient werden. Es wird empfohlen, einen Schutzhelm und Sicherheitsschuhe zu tragen.
- 2 Nicht über den Hubrahmen laufen, da dies eine Stolperfalle sein kann und die Gasfedern beschädigt werden könnten.
- 3 Die Wägebrücke nur von der Seite aus anheben und absenken. Sicherstellen, dass sich keine Personen im Gefahrenbereich vor oder unter der geöffneten Wägebrücke aufhalten.



⚠️ WARNUNG

Ausfall der Gasfedern

Bereits kleinere Beschädigungen, Korrosion oder Lackflecken auf der Kolbenstange können zum Ausfall der Gasfedern führen.

Temperaturen außerhalb des angegebenen Temperaturbereichs können zum Ausfall der Gasfedern führen.

- 1 Die PHD779 Lift nicht außerhalb des Temperaturbereichs von -10 °C bis $+40\text{ °C}$ betreiben.
- 2 Die Gasfedern vor Verschmutzung und Beschädigung schützen.
- 3 Wenn Beschädigungen oder Verschmutzungen festgestellt werden, den Hubrahmen in einer sicheren Position verriegeln und den METTLER TOLEDO Service anrufen, um die Gasfedern zu überprüfen oder auszutauschen.



⚠️ VORSICHT

Schwere Wägebrücke

- Um die PHD779 Lift sicher und ergonomisch anzuheben, sollte eine zweite Person beim Anheben helfen, insbesondere bei einer Größe der Plattform von 1500 x 1500 mm.

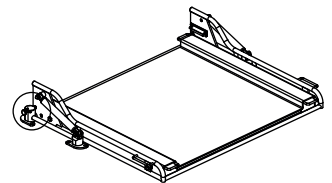
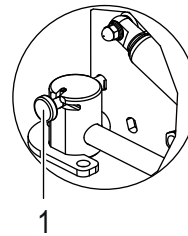
Typische Hebekräfte

Die typischen Hebekräfte zum Öffnen der PHD779 Lift hängen von der Größe der Plattform und der Umgebungstemperatur ab. Je niedriger die Temperatur, desto höher sind die erforderlichen Hebekräfte.

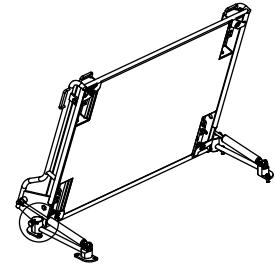
PHD779 Lift Größe der Plattform	Typische Hebekräfte	
	Umgebungstemp. $>5\text{ °C}$	Umgebungstemp. $\leq 5\text{ °C}$
650 x 650 mm ... 1250 x 1000 mm	$<15\text{ kg}$	$<20\text{ kg}$
1250 x 1250 mm ... 1500 x 1250 mm	$<20\text{ kg}$	$<25\text{ kg}$
1500 x 1500 mm	$<25\text{ kg}$	$<30\text{ kg}$

Vorgehen

- 1 Die vorderen und hinteren Rampen entfernen. Die Verriegelungsstifte (1) entriegeln. Bei größeren Plattformen gibt es auch zwei Verschlüsse an der Vorderseite der FüÙe.
- 2 An die Seite des Rahmens stehen und die Plattform nach oben anheben.
 - ➔ Die beiden Stifte verriegeln automatisch.
- 3 Überprüfen, dass die beiden Verriegelungsstifte tatsächlich in die Verriegelungslöcher eingeführt sind.



- 4 Die Verriegelungsstifte (1) entriegeln und die Plattform nach unten in die Horizontale drehen. Bei größeren Plattformen gibt es auch zwei Verschlüsse an der Vorderseite der FüÙe.
- 5 Überprüfen, dass die Verriegelungsstifte tatsächlich in die Verriegelungslöcher eingeführt sind.
- 6 Sicherstellen, dass der Hubrahmen auf den Boden gedrückt wird.



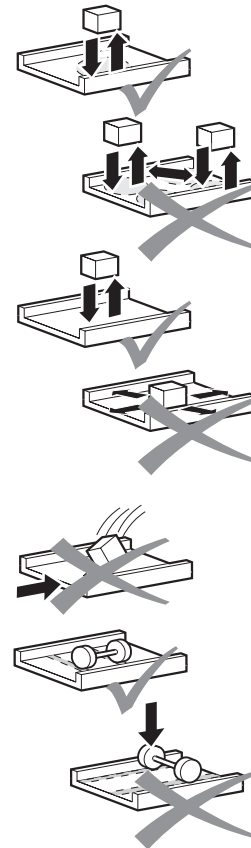
- 7 Die Rampen wieder anbringen.



3.6 Wichtige Hinweise

Um optimale Wägeregebnisse zu erzielen, die folgenden Punkte beachten:

- Das Wägegut in die Mitte der Wägebrücke legen.
- Abrieb- und Verschleißprozesse vermeiden.
- Fallende Lasten, Schockbelastungen sowie seitliche Stöße vermeiden.
- Beim Fahren mit Hebefahrzeugen über versenkt eingebaute Wägebrücken darauf achten, dass die Achslast die maximale Seitenlast nicht überschreitet, siehe [Maximal zulässige Belastung ▶ Seite 14].



3.7 Installation, Service und Reparatur

Wenden Sie sich für Installation, Konfiguration, Service und Reparatur der Wägebrücken an den METTLER TOLEDO Service.

4 Wartung

Die Wartung der Wagebrucke beschrankt sich bei Edelstahlausfuhungen auf ihre regelmaige Reinigung und anschlieendes Einolen.

- Lassen Sie die Wagebrucke regelmaig von einem autorisierten METTLER TOLEDO Servicevertreter inspizieren und kalibrieren.
- Falls die Wagebrucke fur eichpflichtige Zwecke eingesetzt wird, sind die Mindestkontrollanforderungen von den ortlichen Eichbehörden in Erfahrung zu bringen.
- Fur weitere Informationen zu regelmaigen Kontrollen und Kalibrierdiensten ist der autorisierte METTLER TOLEDO Servicevertreter vor Ort zu konsultieren.

4.1 Regelmaige uberprufung

- Die Wagebrucke vor der Benutzung regelmaig uberprufen, siehe die folgenden Abschnitte.

4.1.1 PHD779 Static / PHD779 Lift

- 1 Die Wagebrucke hin und her bewegen, um sicherzustellen, dass die Pendelstifte richtig sitzen und keine Blockierung besteht.
- 2 Sicherstellen, dass alle Ecken des Rahmens abgestutzt sind und die Plattform nicht wippt.
- 3 Sicherstellen, dass die Anschlusse des Hauptkabels nicht lose sind.
- 4 Prufen, ob sich zwischen Plattform und Rahmen Schmutzpartikel befinden.



HINWEIS

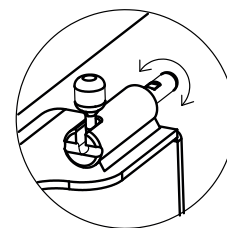
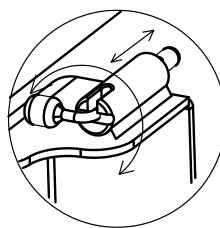
Service wird benotigt

Bei wiederkehrenden Vibrationen beim offnen oder Schlieen des Hubrahmens oder bei der Feststellung von anderungen der Hebekraft:

- 1 Die Arbeit nicht wieder aufnehmen.
- 2 Den METTLER TOLEDO Service anrufen.

4.1.2 PHD779 Mobile

- 1 Die ordnungsgemae Funktion des Raststifts uberprufen.
- 2 Sicherstellen, dass der Raststift im verriegelten Zustand nicht lose ist.
- 3 Bei haufiger Reinigung die Rollenlager der beweglichen Rollen mit Langzeitfett schmieren.
- 4 Sicherstellen, dass die Rollrader nicht festsitzen.



Hinweis

Unter normalen Einsatzbedingungen sind die Rollen wartungsfrei.

4.2 Hinweise zur Reinigung



HINWEIS

Fehlgebrauch von Reinigungsmitteln kann zu Beschädigungen der Wägebrücke führen.

- 1 Ausschließlich Reinigungsmittel verwenden, die die in der Wägebrücke verwendeten Kunststoffe nicht angreifen.
- 2 Desinfektions- und Reinigungsmittel nur entsprechend den Anleitungen des Herstellers verwenden.
- 3 Keine hochsauren, hochalkalischen Reinigungsmittel oder Reinigungsmittel mit hohem Chlorgehalt verwenden. Substanzen mit hohem oder niedrigem pH-Wert vermeiden, da solche Substanzen die Korrosionsgefahr erhöhen.
- 4 Bei der Reinigung der Wägezelle sehr vorsichtig vorgehen.



HINWEIS

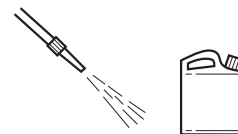
Besondere Hinweise zur Reinigung der PHD779 Lift

- 1 Bei Verwendung eines Wasserstrahls mit einer Temperatur von über 60 °C den Hubrahmen vor Wiederaufnahme der Arbeit auf eine Temperatur von mindestens 40 °C abkühlen lassen.
- 2 Bei einer Reinigung der Wägebrücke in aufrechter Stellung einen Schutzhelm tragen.
- 3 Sicherstellen, dass das Reinigungsmittel keine Korrosion an den Gasfedern verursacht.
- 4 Das Reinigungsmittel darf die Messingbauteile der Gasfederdichtungen nicht angreifen.
- 5 Gasfedern vor Verschmutzung und Beschädigung schützen.

- Schmutz und Ablagerungen in regelmäßigen Abständen von der Außen- und Innenseite der Wägebrücke entfernen.
Das Vorgehen richtet sich dabei nach der Art der Oberfläche sowie nach den am Aufstellort herrschenden Umgebungsbedingungen.

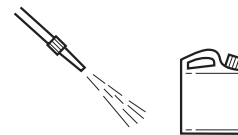
Reinigung in feuchter Umgebung

- Wasserstrahl bis zu 80 °C und maximal 8 bar verwenden, Mindestabstand 40 cm.
- Milde Reinigungsmittel verwenden.



Reinigung in korrosiver Umgebung

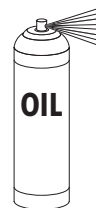
- Wasserstrahl bis zu 80 °C und maximal 8 bar verwenden, Mindestabstand 40 cm.
- Korrosive Substanzen in regelmäßigen Abständen entfernen.
- Desinfektions- und Reinigungsmittel nur entsprechend den Spezifikationen und Anleitungen des Herstellers verwenden.



4.3 Nachbehandlung

Zum Schutz der Wägebrücke folgende Nachbehandlung durchführen:

- Wägebrücke mit klarem Wasser abspülen und Reinigungsmittel restlos entfernen.
- Wägebrücke mit einem fusselfreien Lappen abtrocknen.
- Bei Wägebrücken aus Edelstahl die Außenseite mit lebensmitteltauglichem Öl behandeln.



4.4 Entsorgung

In Übereinstimmung mit der europäischen Richtlinie 2012/19/EU über Elektro- und Elektronik-Altgeräte (WEEE) darf dieses Gerät nicht im Hausmüll entsorgt werden. Dies gilt auch für Länder außerhalb der EU, je nach deren spezifischen Anforderungen.

Bitte entsorgen Sie dieses Produkt in Übereinstimmung mit den örtlichen Vorschriften bei der für elektrische und elektronische Geräte vorgesehenen Sammelstelle. Wenn Sie Fragen haben, wenden Sie sich bitte an die zuständige Behörde oder an den Händler, bei dem Sie dieses Gerät erworben haben. Sollte dieses Gerät an andere Personen weitergegeben werden, muss auch der Inhalt dieser Vorschrift mit einbezogen werden.



Entsorgung von Gasfedern

Beschädigte Gasfedern müssen ausgetauscht werden.



! WARNUNG

Gasfedern stehen unter sehr hohem Druck.

- Wenden Sie sich an den METTLER TOLEDO Service oder Ihren lokalen Handelsvertreter, um die beschädigten Gasfedern auszutauschen und zu entsorgen.

5 Technische Daten und Betriebsgrenzen

5.1 Maximaler Eichwert

Der Eichwert hängt von der Konfiguration der Wägezelle und der Waage ab.
Der maximale Eichwert ist in der folgenden Tabelle angegeben.

Kapazität	Maximaler Eichwert in [kg]				
	1 x 3.000e SR	1 x 6.000e SR	2 x 3.000e MR	2 x 6.000e MR	2 x 10.000e MR
300 kg	0,1	0,05	150 kg / 0,05 300 kg / 0,1	120 kg / 0,02 300 kg / 0,05	200 kg / 0,02 300 kg / 0,05
600 kg	0,2	0,1	300 kg / 0,1 600 kg / 0,2	300 kg / 0,05 600 kg / 0,1	500 kg / 0,05 600 kg / 0,1
1200 kg	–	0,2	–	600 kg / 0,1 1200 kg / 0,2	–
1500 kg	0,5	–	600 kg / 0,2 1500 kg / 0,5	–	1000 kg / 0,1 1500 kg / 0,2
2000 kg	1,0 (2.000 e)	0,5	1500 kg / 0,5 2000 kg / 1,0	1200 kg / 0,2 2000 kg / 0,5	1000 kg / 0,1 2000 kg / 0,2

SR: Single Range
MR: Multi Range

5.2 Maximal zulässige Belastung

Alle Wägebrücken sind mit einem Überlastschutz ausgestattet. Wird jedoch die maximal zulässige Belastung überschritten, kann dies zur Beschädigung der mechanischen Teile führen.

Die statische Tragfähigkeit, d. h. die maximal zulässige Belastung, ist abhängig von der Art der Lastaufnahme (Positionen A – C).

Plattform	Position			
	A	B	C	
PHD779 300	880 kg	440 kg	220 kg	
PHD779 600	2540 kg	1270 kg	635 kg	
PHD779 1200	2540 kg	1270 kg	635 kg	
PHD779 1500	5280 kg	2640 kg	1320 kg	
PHD779 2000	5280 kg	2640 kg	1320 kg	

5.3 Umgebungsbedingungen

Die Wägebrücke darf nur im Bereich –10 °C bis +40 °C betrieben werden.

5.4 Spezifikationen Kategorie 3

Sie finden die Spezifikationen für Kategorie 3 in den entsprechenden Dokumenten zur Bauartzulassung, siehe die Tabelle in [Weitere Dokumente ▶ Seite 5].

Table des matières

1	Consignes de sécurité	4
1.1	Destination conforme.....	4
1.2	Usage abusif	4
1.3	Précautions générales de sécurité	4
1.4	Précautions de sécurité pour le fonctionnement dans des zones dangereuses	4
2	Introduction	5
2.1	Plates-formes de pesage extraplates PHD779	5
2.2	A propos de ce manuel de l'utilisateur	5
2.3	Documents connexes	5
3	Fonctionnement	6
3.1	Contrôle de l'emplacement	6
3.2	Contrôle du fonctionnement	6
3.3	Contrôle des rampes.....	6
3.4	Fonctionnement de la PHD779 Mobile.....	7
3.4.1	Établir le mode de mouvement	8
3.4.2	Établir le mode de pesée.....	8
3.5	Fonctionnement de la PHD779 Lift	9
3.6	Notes importantes	11
3.7	Installation, service après-vente et réparation.....	11
4	Maintenance	12
4.1	Contrôle régulier.....	12
4.1.1	PHD779 Static / PHD779 Lift	12
4.1.2	PHD779 Mobile.....	12
4.2	Notes sur le nettoyage	13
4.3	Traitement subséquent.....	14
4.4	Mise au rebut.....	14
5	Caractéristiques techniques et limites de fonctionnement	15
5.1	Intervalle maximum de balance vérifiée	15
5.2	Charge maximale admissible	15
5.3	Conditions ambiantes	15
5.4	Spécifications pour la catégorie 3.....	15

METTLER TOLEDO Service

Nous vous félicitons d'avoir choisi la qualité et la précision de METTLER TOLEDO. L'utilisation appropriée de votre nouvel équipement conformément aux instructions de ce mode d'emploi, ainsi que l'étalonnage et l'entretien régulier par notre équipe de techniciens de maintenance formés en usine, garantissent un fonctionnement fiable et précis, tout en assurant la protection de votre investissement. Contactez-nous pour recevoir un contrat de maintenance adapté à vos besoins et à votre budget. Pour plus d'informations, visitez notre site [▶ www.mt.com/service](http://www.mt.com/service).

Il y a plusieurs façons importantes d'optimiser les performances de votre investissement :

- 1 **Enregistrer votre produit** : nous vous invitons à enregistrer votre produit sur www.mt.com/productregistration afin que nous puissions vous contacter au sujet des améliorations, des mises à jour et des notifications importantes concernant votre produit.
- 2 **Contactez METTLER TOLEDO pour la maintenance** : la valeur d'une mesure est proportionnelle à sa précision. Une balance produisant des résultats hors spécifications peut entraîner une perte de qualité, une diminution des profits et un accroissement des risques liés à la responsabilité. La maintenance en temps opportun de METTLER TOLEDO garantit la précision et permet d'optimiser le temps de fonctionnement et la durée de vie de l'équipement.
 - ➔ **Installation, Configuration, Intégration et Formation** : nos techniciens de maintenance sont des experts des équipements de pesage formés en usine. Tout en demeurant abordables, nous veillons à préparer rapidement vos équipements de pesage pour la production et à former votre personnel pour garantir la bonne utilisation des équipements.
 - ➔ **Documentation sur l'étalonnage initial** : les exigences afférentes à l'environnement d'installation et à l'application étant propres à chaque balance industrielle, les performances font l'objet de tests et d'une certification. Nos services d'étalonnage et nos certificats documentent l'exactitude pour garantir la qualité de la production et fournir un archivage de la qualité des performances du système.
 - ➔ **Étalonnage périodique et maintenance** : un contrat de maintenance spécifique à l'étalonnage vous permet d'avoir toute confiance dans vos procédés de pesage et dans la conformité de votre documentation aux normes en vigueur. Nous proposons de nombreux plans de maintenance conçus pour répondre à vos besoins et s'adapter à votre budget.

1 Consignes de sécurité

1.1 Destination conforme

Les plates-formes de pesage extraplates PHD779 font partie d'un système de pesage modulaire constitué d'un indicateur de pesage METTLER TOLEDO et d'au moins une plate-forme de pesage.

- Utilisez la plate-forme de pesage uniquement pour le pesage conformément à ce manuel de l'utilisateur.
- La plate-forme de pesage est destinée à un usage intérieur uniquement.
- Tout autre type d'utilisation est considéré comme non conforme.

Métrologie légale

- Pour l'utilisation en métrologie légale, utilisez uniquement des plates-formes de pesage homologuées.
- Lors de l'utilisation de la plate-forme de pesage en métrologie légale, l'entreprise d'exploitation est responsable du respect de toutes les exigences nationales de poids et mesures.
- Veuillez contacter le service après-vente METTLER TOLEDO pour les questions relatives aux applications légales pour le commerce.

1.2 Usage abusif

- N'utilisez pas la plate-forme de pesage pour autre chose que peser des marchandises.
- Ne modifiez pas la plate-forme de pesage.
- N'utilisez pas la plate-forme de pesage au-delà des limites des spécifications techniques.
- N'utilisez pas la plate-forme de pesage pour stocker des marchandises.
- Évitez de laisser tomber des marchandises sur la plate-forme de pesage.
- N'utilisez pas la plate-forme de pesage dans un autre environnement ou pour une autre catégorie que ceux spécifiés au point [Caractéristiques techniques et limites de fonctionnement ► page 15].

1.3 Précautions générales de sécurité

- Utiliser uniquement des accessoires et câbles confectionnés METTLER TOLEDO d'origine avec ce produit. L'utilisation d'accessoires ou câbles confectionnés non autorisés ou contrefaits peut entraîner l'annulation de la garantie, un fonctionnement incorrect ou erroné ou un dommage à des biens (incluant l'appareil) ou des blessures aux personnes.

1.4 Précautions de sécurité pour le fonctionnement dans des zones dangereuses

Les plates-formes de pesage extraplates PHD779 sont homologuées pour les zones dangereuses de catégorie 3 (zone 2/22).

La société d'exploitation est responsable du fonctionnement sûr du système de pesage protégé contre les explosions.

- Observez strictement les consignes de sécurité de la société d'exploitation.
- Respectez toutes les réglementations nationales d'exploitation dans des zones dangereuses, ainsi que les instructions et informations dans ce manuel de l'utilisateur.

2 Introduction

2.1 Plates-formes de pesage extraplates PHD779

Ce manuel de l'utilisateur se consacre aux produits listés ci-dessous.

La gamme de produits PHD779 se compose de différents modèles du produit et présente une grande variété d'options.

Modèles :

- PHD779 Static
- PHD779 Lift
- PHD779 Mobile

Propriétés :

- acier inoxydable
- surface lisse
- adapté à un environnement humide
- approuvé pour la catégorie 3 (zone 2/22)

Versions disponibles :

- diverses tailles et capacités
- homologué ou non homologué

2.2 A propos de ce manuel de l'utilisateur

Ce manuel de l'utilisateur contient toutes les informations pour l'**opérateur** des plates-formes de pesage extraplates PHD779.

- Lisez ce manuel de l'utilisateur attentivement avant l'utilisation.
- Conservez ce manuel de l'utilisateur pour consultation future.
- Transmettez ce manuel à tout propriétaire ultérieur du produit.



2.3 Documents connexes

En plus de ce manuel de l'utilisateur imprimé, vous pouvez télécharger les documents suivants depuis l'adresse ► <http://www.mt.com>:

- Brochure/Fiche technique

Documents d'homologation de type pour l'utilisation en zones dangereuses

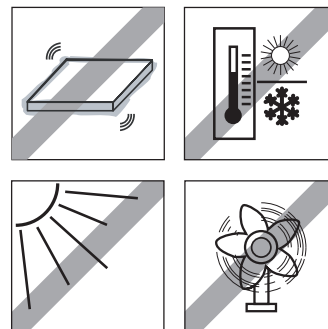
Évaluation mécanique des plates-formes de pesage de catégorie 3	PHD779	BVS 23 ATEX H/B 018
Capteur de charge de catégorie 3	Capteur de charge SLB615d	14ATEX0030X

3 Fonctionnement

3.1 Contrôle de l'emplacement

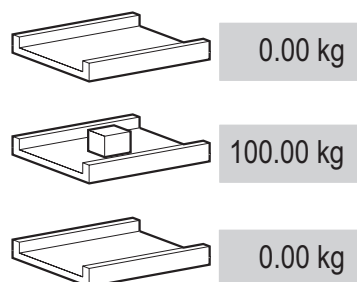
Un emplacement correct est crucial pour la précision des résultats de la pesée.

- Vérifiez que l'emplacement de la plate-forme de pesage est stable, se trouve à l'horizontale et ne présente pas de vibrations.
- Observez les conditions environnementales suivantes:
 - Pas de fortes vibrations
 - Pas d'ensoleillement direct
 - Pas de fluctuations excessives de température
 - Pas de courants d'air importants



3.2 Contrôle du fonctionnement

- 1 Vérifiez que la plate-forme de pesage est connectée à un terminal de pesage et que le terminal de pesage est enclenché.
- 2 Vérifiez que la plate-forme de pesage est déchargée et que l'afficheur du terminal de pesage indique 0.
- 3 Chargez la plate-forme de pesage.
 - L'indicateur doit afficher une valeur différente de 0.
- 4 Déchargez la plate-forme de pesage.
 - L'indicateur doit revenir à 0.

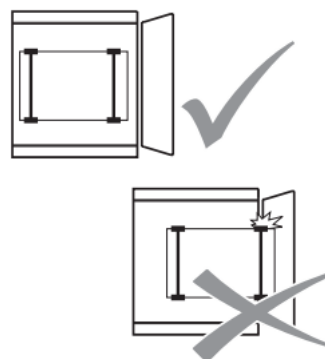


Test de vérification

Pour un test de vérification, consultez le manuel de l'utilisateur du terminal de pesage connecté. Si le sceau de vérification est brisé, la vérification n'est plus valable.

3.3 Contrôle des rampes

- 1 Assurez-vous que toutes les roues du véhicule de transport sont sur le plateau de charge durant le processus de pesée.
- 2 Vérifiez que l'interstice entre la plate-forme de pesage et la rampe est exempt de dépôts de saleté.



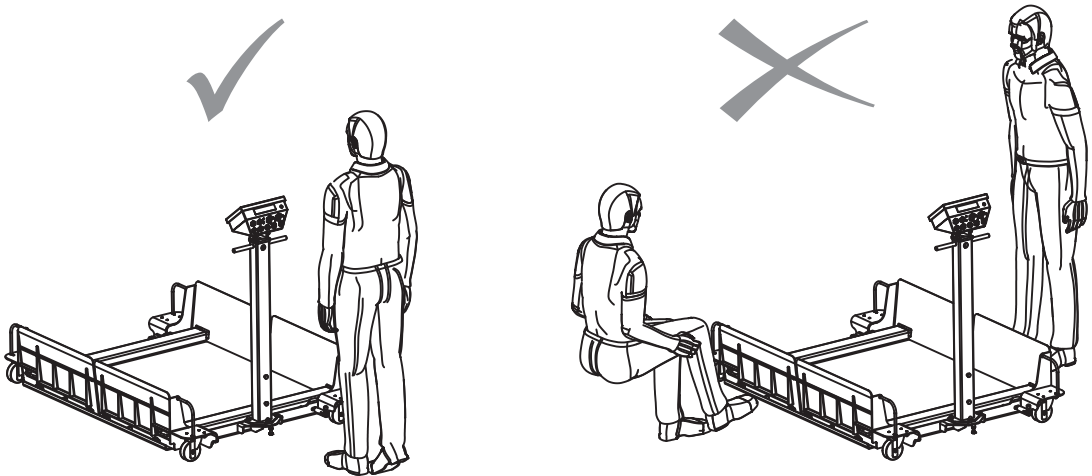
3.4 Fonctionnement de la PHD779 Mobile



AVERTISSEMENT

Risque d'écrasement

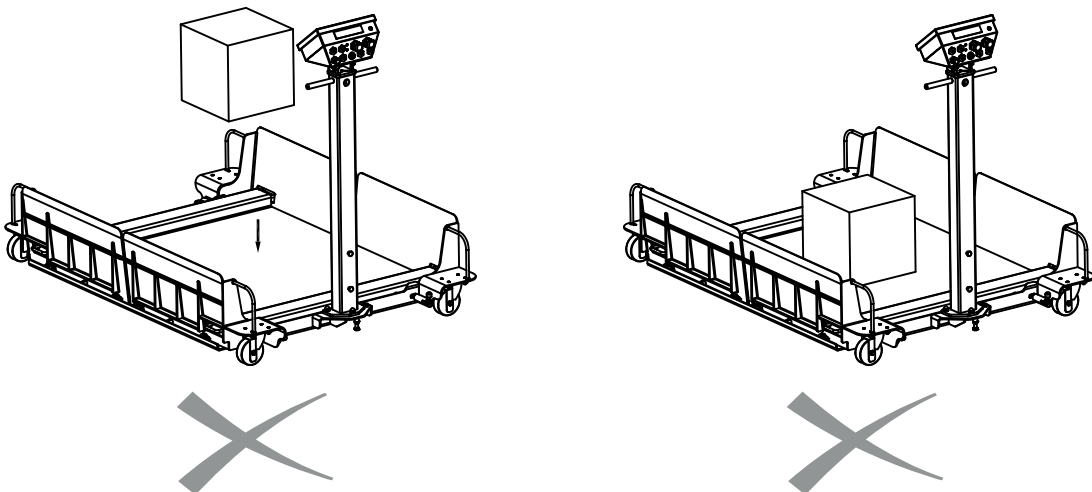
- 1 Seul du personnel qualifié peut faire fonctionner les plates-formes de pesage mobiles.
- 2 Faites fonctionner la plate-forme de pesage mobile uniquement depuis le côté.
- 3 Ne restez pas dans des zones où les rampes peuvent s'abaisser.



ATTENTION

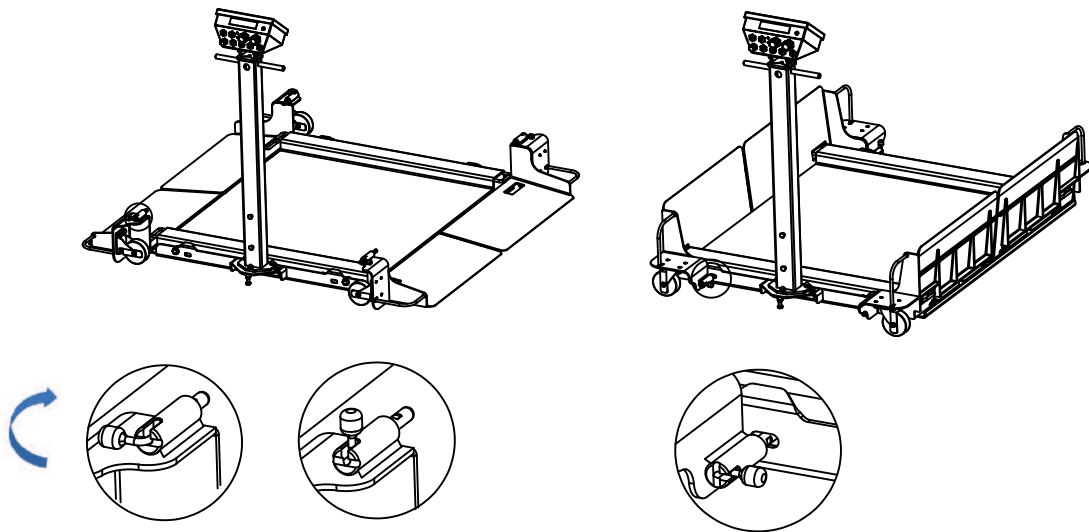
Dommmage et/ou dysfonctionnement de la plate-forme de pesage

- 1 Les marchandises à peser ou autres charges ne sont pas autorisées sur la plate-forme de pesage mobile pendant son déplacement.
- 2 Les marchandises à peser ou autres charges ne sont pas autorisées sur la plate-forme de pesage mobile pendant le redressement des rampes.
- 3 Placez les marchandises à peser uniquement en mode de pesée.
- 4 Vérifiez que le câble de connexion ne touche pas le sol.
- 5 Assurez-vous que le câble de mise à la terre est débranché avant de déplacer la plate-forme de pesage dans une zone dangereuse.
- 6 Veuillez n'utiliser la poignée de la colonne que pour déplacer la plate-forme de pesage.
- 7 Ne déplacez pas la plate-forme de pesage si du personnel s'y trouve.



3.4.1 Établir le mode de mouvement

- 1 Faites tourner le doigt d'indexage de la verticale à l'horizontale.
- 2 Saisissez la poignée de la rampe et relevez-la.
- 3 Insérez le doigt d'indexage dans l'encoche côté cadre.



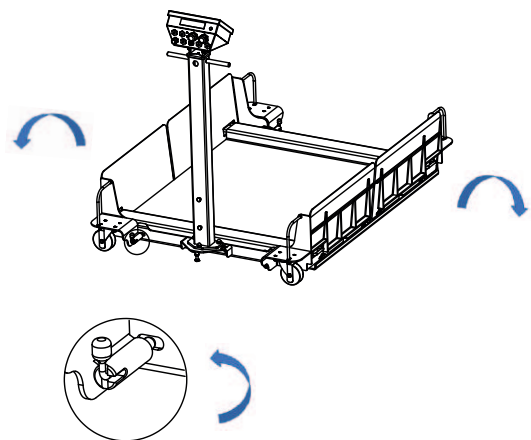
3.4.2 Établir le mode de pesée

i Remarque

Avant d'établir le mode de pesée :

- Assurez-vous que le sol est de niveau à $\pm 2,5$ mm près.
- Assurez-vous que la plate-forme de pesage est positionnée correctement.
- Assurez-vous que la plate-forme de pesage est de niveau et ajustez-la si besoin.
- En cas d'application dans une zone dangereuse, assurez-vous que le câble de mise à la terre est branché avant de procéder à la mise à niveau de la plate-forme de pesage.

- 1 Déplacez la plate-forme de pesage à l'endroit choisi.
- 2 Retirez le doigt d'indexage. Faites tourner le doigt d'indexage à la verticale.
- 3 Saisissez la poignée et abaissez doucement la rampe jusqu'à ce qu'elle repose à plat.



3.5 Fonctionnement de la PHD779 Lift



AVERTISSEMENT

Risque d'écrasement

- 1 Seul du personnel initié peut faire fonctionner la plate-forme PHD779 Lift. Il est conseillé de porter un casque et des chaussures de sécurité.
- 2 Ne marchez pas sur le cadre de levage ; vous pourriez trébucher et endommager les vérins à gaz.
- 3 Soulevez et abaissez la plate-forme uniquement depuis le côté. Assurez-vous que personne ne se trouve dans la zone dangereuse située devant ou en dessous de la plate-forme de pesage ouverte.



AVERTISSEMENT

Défaillance des vérins à gaz

Même un dommage mineur, de la corrosion ou des taches de peinture sur la tige de piston peuvent conduire à une défaillance des vérins à gaz.

Les températures se trouvant hors de la plage indiquée peuvent entraîner une défaillance des vérins à gaz.

- 1 Ne faites pas fonctionner la plate-forme PHD779 Lift en dehors de la plage de température de -10 °C à $+40\text{ °C}$.
- 2 Protégez les vérins à gaz contre l'encrassement et les dommages.
- 3 En cas de détection d'un dommage ou d'un encrassement, verrouillez le cadre de levage sur une position sécurisée et appelez le service après-vente METTLER TOLEDO pour vérifier ou remplacer les vérins à gaz.



ATTENTION

Plate-forme de pesage lourde

- Pour un levage ergonomique en toute sécurité, une deuxième personne doit venir apporter son aide au levage de la PHD779 Lift, tout particulièrement pour les dimensions 1 500 x 1 500 mm.

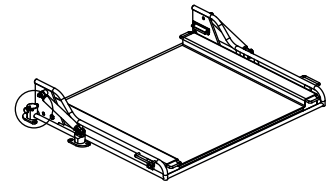
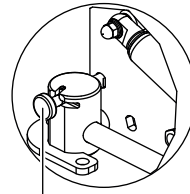
Forces de levage caractéristiques

Les forces de levage caractéristiques permettant d'ouvrir la PHD779 Lift dépendent des dimensions de la plate-forme et de la température ambiante. Plus la température est faible et plus les forces de levage nécessaires sont importantes.

PHD779 Lift Dimensions de la plate-forme	Forces de levage caractéristiques	
	Temp. ambiante $>5\text{ °C}$	Temp. ambiante $\leq 5\text{ °C}$
650 x 650 mm ... 1 250 x 1 000 mm	<15 kg	<20 kg
1 250 x 1 250 mm ... 1 500 x 1 250 mm	<20 kg	<25 kg
1500 x 1500 mm	<25 kg	<30 kg

Procédure

1 Retirez les rampes avant et arrière. Déverrouillez les goupilles de sécurité (1). Pour les plates-formes plus grandes, il y a également deux verrouillages sur le devant des pieds.

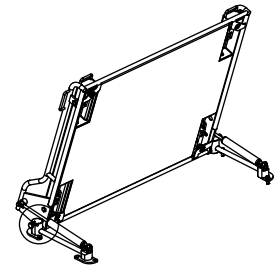


2 Placez-vous sur le côté du cadre et soulevez la plate-forme.

➔ Les deux goupilles se verrouillent automatiquement.

3 Vérifiez que les deux goupilles de sécurité sont bien insérées dans les orifices de verrouillage.

4 Déverrouillez les goupilles d'arrêt (1) et rabaissez la plate-forme à l'horizontale. Pour les plates-formes plus grandes, il y a également deux verrouillages sur le devant des pieds.



5 Vérifiez que les goupilles de sécurité sont bien insérées dans les orifices de verrouillage.

6 Assurez-vous que le cadre de levage fait appui sur le sol.

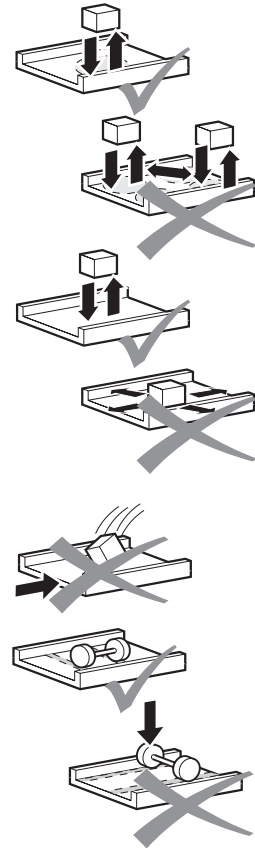
7 Remettez les rampes en place.



3.6 Notes importantes

Pour obtenir les meilleurs résultats de pesage, respectez ce qui suit :

- Placez l'échantillon à peser au centre de la plate-forme de pesage.
- Évitez les processus d'abrasion et d'usure.
- Évitez de laisser tomber les charges, évitez les chocs et les impacts latéraux.
- Lorsque vous roulez sur des plates-formes de pesage en retrait avec des transpalette, veillez à ce que la charge d'essieu ne dépasse pas la charge latérale maximale, voir [Charge maximale admissible ▶ page 15].



3.7 Installation, service après-vente et réparation

Pour l'installation, la configuration, le service après-vente et la réparation des plates-formes de pesage, contactez le service après-vente METTLER TOLEDO.

4 Maintenance

La maintenance de la plate-forme de pesage se limite à un nettoyage régulier et un huilage subséquent pour les versions en acier inoxydable.

- Faites inspecter et calibrer la plate-forme de pesage régulièrement par un représentant autorisé du service après-vente METTLER TOLEDO.
- Si la plate-forme de pesage est utilisée à des fins d'utilisation légale pour le commerce, consultez les autorités locales en charge des poids et mesures pour connaître les exigences d'inspection minimales.
- Contactez votre représentant local autorisé du service après-vente METTLER TOLEDO pour plus d'informations sur le service d'inspection et calibration périodique.

4.1 Contrôle régulier

- Vérifiez régulièrement la plate-forme de pesage avant de l'utiliser, voir les points ci-dessous.

4.1.1 PHD779 Static / PHD779 Lift

- 1 Faites osciller la plate-forme afin de vérifier que les broches oscillantes sont correctement logées et qu'il n'y a pas de blocage.
- 2 Vérifiez que tous les coins du cadre sont supportés et que la plate-forme n'oscille pas.
- 3 Assurez-vous que les connexions par câble de retour ne sont pas lâches.
- 4 Vérifiez s'il y a des débris entre la plate-forme et le cadre.



AVIS

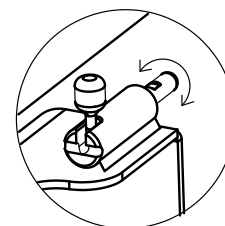
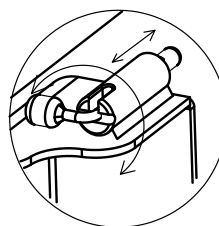
Maintenance requise

En cas de vibrations lors de l'ouverture ou de la fermeture du cadre de levage ou en cas de déviations par rapport à la force de levage :

- 1 Ne reprenez pas le travail.
- 2 Appelez le service après-vente METTLER TOLEDO.

4.1.2 PHD779 Mobile

- 1 Vérifiez le bon fonctionnement du doigt d'indexage.
- 2 Assurez-vous que le doigt d'indexage n'est pas lâche lors du déverrouillage.
- 3 En cas de fréquents nettoyages, lubrifiez les roulements à rouleaux des roulements mobiles avec de la graisse longue durée.
- 4 Assurez-vous que les molettes ne sont pas coincées.



Remarque

Dans des conditions d'utilisation normales, les rouleaux ne requièrent pas de maintenance.

4.2 Notes sur le nettoyage



AVIS

Endommagement de la plate-forme de pesage suite à l'utilisation incorrecte des produits de nettoyage

- 1 Utilisez uniquement des produits de nettoyage qui n'attaquent pas les plastiques utilisés dans la plate-forme de pesage.
- 2 Utilisez uniquement des désinfectants et produits de nettoyage conformes aux instructions du fabricant.
- 3 N'utilisez pas de produits de nettoyage fortement acides, fortement alcalins ou fortement chlorés. Évitez les substances avec un pH élevé ou bas, car ces substances accroissent le risque de corrosion.
- 4 Soyez particulièrement prudent lors du nettoyage du capteur de charge.



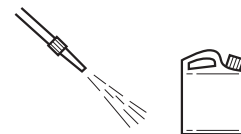
AVIS

Remarques spéciales concernant le nettoyage de la PHD779 Lift

- 1 En cas d'utilisation d'un jet d'eau d'une température supérieure à 60 °C, laissez le cadre de levage refroidir jusqu'à 40 °C au moins avant de reprendre le travail.
 - 2 Portez un couvre-chef de sécurité lors du nettoyage de la plate-forme de pesage à la verticale.
 - 3 Veillez à ce que le produit de nettoyage n'entraîne aucune corrosion sur les vérins à gaz.
 - 4 Le produit de nettoyage ne doit pas corroder les composants en laiton des joints des vérins à gaz.
 - 5 Protégez les vérins à gaz contre l'encrassement et les dommages.
- Retirez la saleté et les dépôts à intervalles réguliers de l'extérieur et de l'intérieur de la plate-forme de pesage.
La procédure dépend du type de surface et des conditions d'environnement régnant sur le site d'installation.

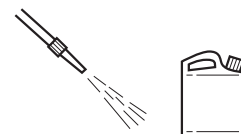
Nettoyage dans un environnement humide

- Utilisez un jet d'eau à 80 °C max. et 8 bars max., distance minimale 40 cm.
- Utilisez des produits de nettoyage doux.



Nettoyage dans un environnement corrosif

- Utilisez un jet d'eau à 80 °C max. et 8 bars max., distance minimale 40 cm.
- Retirez les substances corrosives à intervalles réguliers.
- Utilisez uniquement des désinfectants et produits de nettoyage en conformité avec les spécifications et instructions du fabricant.



4.3 Traitement subséquent

Afin de protéger la plate-forme de pesage, exécutez le traitement subséquent suivant:

- Rincez la plate-forme de pesage à l'eau claire et retirez complètement le produit de nettoyage.
- Séchez la plate-forme de pesage avec un chiffon non peluchant.
- Pour les plates-formes de pesage en acier inoxydable, traitez l'extérieur à l'huile de qualité alimentaire.



4.4 Mise au rebut

Conformément à la directive européenne 2012/19/CE relative à la mise au rebut des équipements électriques et électroniques (WEEE), ce dispositif ne doit pas être jeté avec les déchets ménagers. Logiquement, ceci est aussi valable pour les pays en dehors de l'UE conformément aux réglementations nationales en vigueur.

Veillez éliminer cet appareil conformément aux prescriptions locales dans un conteneur séparé pour appareils électriques et électroniques. Pour toute question, adressez-vous aux autorités compétentes ou au revendeur chez qui vous avez acheté cet appareil. En cas de transmission de ce dispositif à des tiers, le contenu de cette réglementation doit également être joint.



Mise au rebut des vérins à gaz

Les vérins à gaz endommagés doivent être remplacés.



AVERTISSEMENT

Les vérins à gaz sont soumis à une très haute pression.

- Appelez le service après-vente METTLER TOLEDO ou votre représentant local pour remplacer et mettre au rebut les vérins à gaz endommagés.

5 Caractéristiques techniques et limites de fonctionnement

5.1 Intervalle maximum de balance vérifiée

L'intervalle de balance vérifiée dépend du capteur de charge et de la configuration de la balance.

L'intervalle maximum de balance vérifiée est donné ci-dessous.

Capacité	Intervalle maximum de balance vérifiée en [kg]				
	1 x 3.000e SR	1 x 6.000e SR	2 x 3.000e MR	2 x 6.000e MR	2 x 10.000e MR
300 kg	0,1	0,05	150 kg / 0,05 300 kg / 0,1	120 kg / 0,02 300 kg / 0,05	200 kg / 0,02 300 kg / 0,05
600 kg	0,2	0,1	300 kg / 0,1 600 kg / 0,2	300 kg / 0,05 600 kg / 0,1	500 kg / 0,05 600 kg / 0,1
1200 kg	–	0,2	–	600 kg / 0,1 1 200 kg / 0,2	–
1 500 kg	0,5	–	600 kg / 0,2 1 500 kg / 0,5	–	1 000 kg / 0,1 1 500 kg / 0,2
2 000 kg	1 (2.000 e)	0,5	1 500 kg / 0,5 2 000 kg / 1	1 200 kg / 0,2 2 000 kg / 0,5	1 000 kg / 0,1 2 000 kg / 0,2

SR : Single Range (plage unique)

MR : Multi Range (plage multiple)

5.2 Charge maximale admissible

Toutes les plates-formes de pesage sont équipées d'une protection contre la surcharge. Cependant, si la charge dépasse la charge maximale admissible, un endommagement des parties mécaniques est possible.

La capacité portante statique, c'est-à-dire la charge maximale admissible, dépend du type de charge (positions A – C).

Plate-forme	Position			
	A	B	C	
PHD779 300	880 kg	440 kg	220 kg	
PHD779 600	2 540 kg	1 270 kg	635 kg	
PHD779 1200	2 540 kg	1 270 kg	635 kg	
PHD779 1500	5 280 kg	2 640 kg	1 320 kg	
PHD779 2000	5 280 kg	2 640 kg	1 320 kg	

5.3 Conditions ambiantes

La plate-forme de pesage peut uniquement fonctionner dans la plage de –10 °C à +40 °C.

5.4 Spécifications pour la catégorie 3

Vous trouverez les spécifications pour la catégorie 3 dans les documents correspondants d'approbation de type, voir tableau dans [Documents connexes ► page 5].

Índice de contenidos

1	Instrucciones de seguridad	4
1.1	Uso previsto	4
1.2	Uso incorrecto.....	4
1.3	Precauciones generales de seguridad.....	4
1.4	Precauciones de seguridad para el uso en zonas peligrosas.....	4
2	Introducción	5
2.1	Plataformas de pesada de perfil bajo PHD779	5
2.2	Acerca de este manual de usuario.....	5
2.3	Otros documentos	5
3	Manejo	6
3.1	Comprobación de la ubicación	6
3.2	Control de funciones.....	6
3.3	Comprobación de rampas.....	6
3.4	Funcionamiento de PHD779 Mobile	7
3.4.1	Establecer el modo movimiento.....	8
3.4.2	Establecer el modo de pesada.....	8
3.5	Funcionamiento de PHD779 Lift	9
3.6	Notas importantes	10
3.7	Instalación, servicio y reparación	10
4	Mantenimiento	11
4.1	Comprobación periódica	11
4.1.1	PHD779 Static / PHD779 Lift	11
4.1.2	PHD779 Mobile.....	11
4.2	Notas sobre la limpieza	12
4.3	Tratamiento posterior.....	13
4.4	Eliminación	13
5	Datos técnicos y límites de operación	14
5.1	Intervalo máximo de balanza contrastada.....	14
5.2	Carga máxima permitida.....	14
5.3	Condiciones ambientales	14
5.4	Especificaciones para la Categoría 3	14

METTLER TOLEDO Service

Felicidades por escoger la calidad y precisión de METTLER TOLEDO. El uso apropiado conforme a este manual de usuario, así como el calibrado y el mantenimiento regulares proporcionado por nuestro equipo de servicio entrenado en nuestra fábrica le asegura el funcionamiento fiable y correcto, protegiendo así su inversión. Consúltenos con respecto a un contrato de servicio adaptado a sus necesidades y presupuesto. Hay más información disponible en ► www.mt.com/service.

Hay varias maneras importantes para garantizar el máximo rendimiento de su inversión:

- 1 **Registre su producto:** Le invitamos a registrar su producto en www.mt.com/productregistration de manera que le podamos informar sobre mejoras, actualizaciones y notificaciones importantes referentes a su producto.
- 2 **Contacte con METTLER TOLEDO para el servicio:** El valor de una medida es proporcional a su precisión. Una balanza fuera de especificación puede disminuir la calidad, reducir los beneficios y aumentar la responsabilidad. El servicio oportuno de METTLER TOLEDO garantizará la precisión y optimizará el tiempo de actividad y la vida útil del equipo.
 - ➔ **Instalación, configuración, integración y entrenamiento:** Nuestros representantes de servicio son expertos en equipos de pesaje entrenados en la fábrica. Nos aseguramos de que su equipo de pesaje está listo para la producción de una manera eficaz y oportuna de costos y que el personal está capacitado para el éxito.
 - ➔ **Documentación de calibración inicial:** El entorno de instalación y los requisitos de aplicación son únicos para cada balanza industrial de modo que el rendimiento debe ser probado y certificado. Nuestros servicios de calibración y certificados documentan la exactitud para garantizar la calidad de la producción y proporcionan un registro del sistema de calidad del rendimiento.
 - ➔ **Mantenimiento de calibración periódica:** Un acuerdo de servicio de calibración proporciona en curso confianza en su proceso de pesaje y documentación de cumplimiento de los requisitos. Ofrecemos una variedad de planes de servicio que están programados para satisfacer sus necesidades y diseñados para ajustarse a su presupuesto.

1 Instrucciones de seguridad

1.1 Uso previsto

Las plataformas de pesada de perfil bajo PHD779 forman parte de un sistema de pesada modular que consta de un indicador de pesada METTLER TOLEDO y de lo menos una plataforma de pesada.

- Utilizar la plataforma de pesada sólo para pesar de acuerdo con este manual de usuario.
- La plataforma de pesada está diseñada sólo para uso en interiores.
- Cualquier otro tipo de uso se considera como no previsto.

Metrología legal

- Para el uso en metrología legal sólo utilizar plataformas de pesada aprobadas.
- Cuando la plataforma de pesada se utiliza en metrología legal, la empresa operadora es responsable de observar todas las pesas y los requisitos de las mediciones del país.
- Por favor, póngase en contacto con la organización de servicio METTLER TOLEDO para preguntas relacionadas con el uso legal para aplicaciones comerciales.

1.2 Uso incorrecto

- No utilizar la plataforma de pesada con otro fin que no sea para operaciones de pesaje.
- No modificar la plataforma de pesada.
- No utilizar la plataforma de pesada más allá de los límites de las especificaciones técnicas.
- No utilizar la plataforma de pesada para el almacenamiento de mercancías.
- Evitar la caída de mercancías en la plataforma de pesada.
- No utilizar la plataforma de pesada en algún otro entorno o categoría a lo especificado en la tabla en sección [Datos técnicos y límites de operación ▶ página 14].

1.3 Precauciones generales de seguridad

- Utilice únicamente accesorios y piezas de montaje para cables originales de METTLER TOLEDO con este producto. El uso de accesorios o piezas de montaje para cables no autorizados o falsificados puede resultar en garantía anulada, operación incorrecta o errónea, daño a la propiedad (incluyendo la unidad) o lesión personal.

1.4 Precauciones de seguridad para el uso en zonas peligrosas

Las plataformas de pesada de perfil bajo PHD779 han sido homologadas para zonas peligrosas de la Categoría 3 (Zona 2/22).

La empresa operadora es responsable del funcionamiento seguro del sistema de pesada protegido contra explosiones.

- Observar estrictamente las instrucciones de la empresa operadora.
- Cumplir con todos los reglamentos nacionales para el uso en zonas peligrosas, así como las instrucciones y la información en este manual de usuario.

2 Introducción

2.1 Plataformas de pesada de perfil bajo PHD779

Este manual de usuario se centra en los productos mencionados a continuación.

La familia de productos PHD779 consta de diferentes modelos de productos y de una variedad de opciones de productos.

Modelos:

- PHD779 Static
- PHD779 Lift
- PHD779 Mobile

Propiedades:

- acero inoxidable
- superficie lisa
- adecuada para entorno húmedo
- aprobada para la Categoría 3 (Zona 2/22)

Versiones disponibles:

- varios tamaños y capacidades
- aprobada o no aprobada

2.2 Acerca de este manual de usuario

Este manual de usuario contiene toda la información para el **operador** de las plataformas pesada de perfil bajo PHD779.

- Leer atentamente este manual de usuario antes de utilizar este equipo.
- Guardar este manual de usuario para futuras consultas.
- Entregar este manual de usuario a cualquier futuro propietario o usuario del producto.



2.3 Otros documentos

En complemento a este manual de usuario impreso puede descargar los siguientes documentos de

► <http://www.mt.com>:

- Folleto/Hoja de datos

Documentos de aprobación de tipo para uso en zonas peligrosas

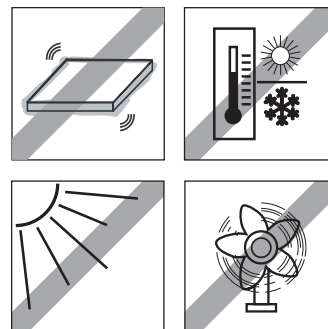
Evaluación mecánica de plataformas de pesada para la Categoría 3	PHD779	BVS 23 ATEX H/B 018
Célula de carga de Categoría 3	Célula de carga SLB615d	14ATEX0030X

3 Manejo

3.1 Comprobación de la ubicación

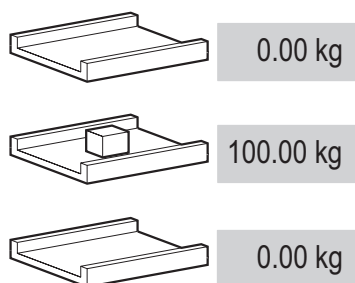
La ubicación correcta es decisiva para la exactitud de los resultados de pesadas.

- Asegurarse de que la ubicación es estable, sin vibraciones y horizontal para la plataforma de pesada.
- Observar las siguientes condiciones del medio ambiente:
 - Sin fuertes vibraciones
 - Sin luz solar directa
 - Sin variaciones excesivas de la temperatura
 - Sin fuertes corrientes de aire



3.2 Control de funciones

- 1 Asegurarse de que la plataforma de pesada está conectada a un terminal de pesada, y que el terminal de pesada esté conmutado a On.
- 2 Asegurarse de que la plataforma de pesada está descargada y el display del terminal de pesada muestra 0.
- 3 Cargar la plataforma de pesada.
 - ➔ El indicador debe mostrar un valor diferente de 0.
- 4 Descargar la plataforma de pesada.
 - ➔ El indicador debe retornar a 0.

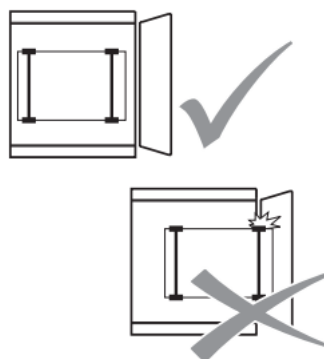


Prueba de contrastado

Para una prueba de contrastado consultar el manual de usuario del terminal de pesada conectado. Si el precinto de contrastado se rompe, ya no es válido el contrastado.

3.3 Comprobación de rampas

- 1 Asegurar que durante el proceso de pesaje todas las ruedas del vehículo de transporte están sobre el plato de carga.
- 2 Asegurarse de que el espacio entre la plataforma de pesada y la rampa está libre de sedimentos de suciedad.



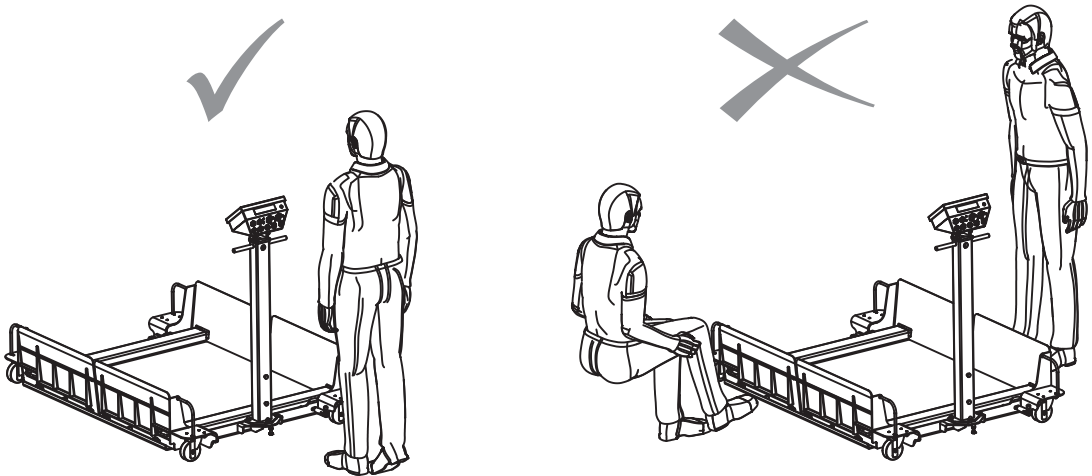
3.4 Funcionamiento de PHD779 Mobile



⚠️ ADVERTENCIA

Peligro de aplastamiento

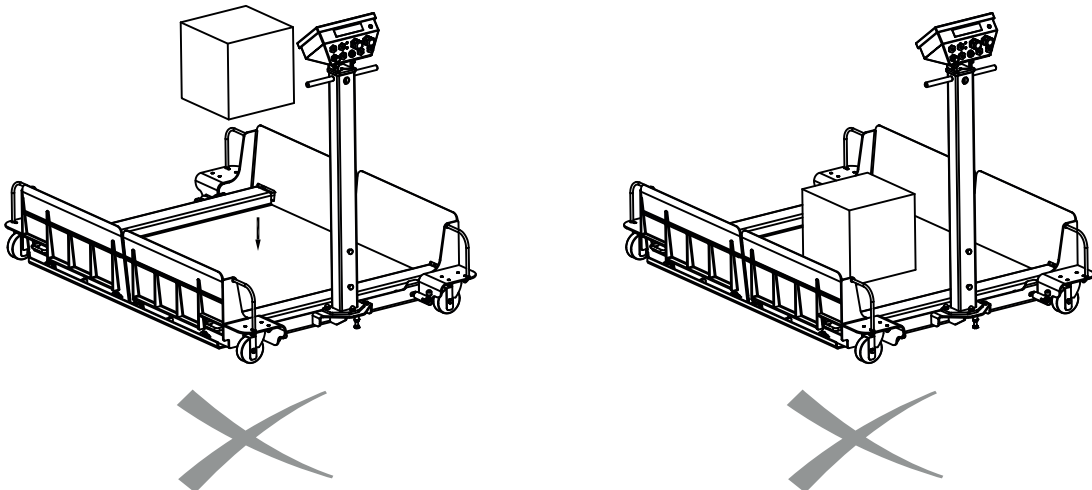
- 1 Solo personal cualificado puede operar la plataforma de pesada móvil.
- 2 Operar la plataforma de pesada móvil solo desde un lado.
- 3 No permanecer en zonas en las que las rampas pueden plegarse hacia abajo.



⚠️ ATENCIÓN

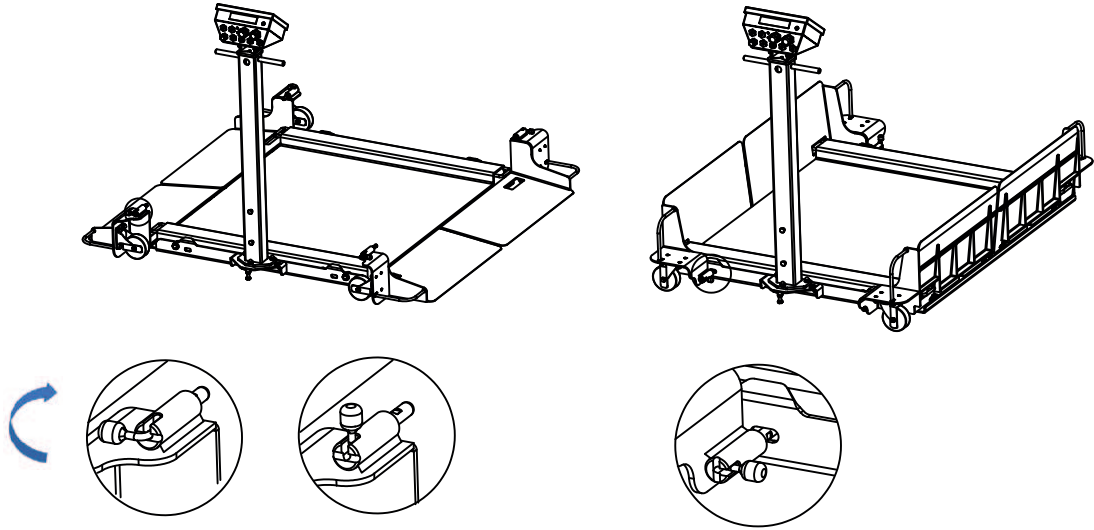
Daños y/o mal funcionamiento de la plataforma de pesada

- 1 Las mercancías para pesar u otras cargas no están permitidas en la plataforma de pesada móvil mientras se traslada.
- 2 Las mercancías para pesar u otras cargas no están permitidas en la plataforma de pesada móvil mientras que las rampas se pliegan hacia arriba.
- 3 Poner las mercancías para pesar solo en el modo de pesaje.
- 4 Asegurarse de que el cable de conexión no toca el suelo.
- 5 Asegurarse de que el cable de puesta a tierra está desconectado antes de mover la plataforma de pesada a un entorno peligroso.
- 6 Utilizar solo el mango en la columna para mover la plataforma de pesada.
- 7 No mover la plataforma de pesada si hay personal sobre la misma.



3.4.1 Establecer el modo movimiento

- 1 Girar el pasador de encastre en dirección vertical desde la dirección horizontal.
- 2 Agarrar el mango de la rampa y plegar hacia arriba la rampa.
- 3 Insertar el pasador de encastre en la ranura en el lateral del marco.



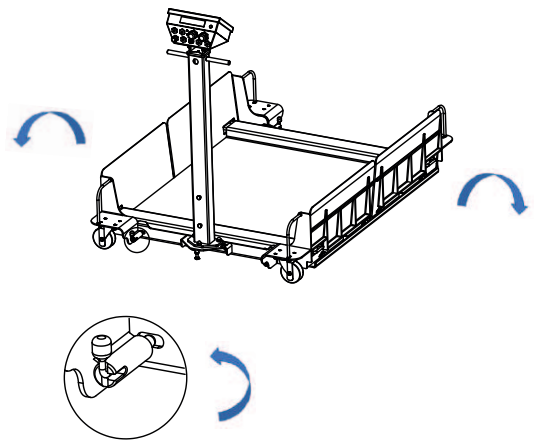
3.4.2 Establecer el modo de pesada

i Nota

Antes de establecer el modo de pesada:

- Asegurarse de que el suelo esté nivelado dentro del rango de $\pm 2,5$ mm.
- Asegurarse de que la plataforma de pesada está posicionada correctamente.
- Asegurarse de la plataforma de pesada está nivelada y ajustarla si es necesario.
- Para la aplicación en entornos peligrosos, asegurarse de que el cable de puesta a tierra está conectado antes de nivelar la plataforma de pesada.

- 1 Mover la plataforma de pesada hasta el lugar seleccionado.
- 2 Extraer el pasador de encastre. Girar el pasador de encastre en dirección vertical.
- 3 Agarrar el mango y plegar la rampa con cuidado hacia abajo hasta que esté depositada en posición plana.



3.5 Funcionamiento de PHD779 Lift



⚠️ ADVERTENCIA

Peligro de aplastamiento

- 1 Solo el personal instruido puede operar la PHD779 Lift. Se recomienda utilizar un casco de seguridad y calzado de seguridad.
- 2 No caminar sobre el marco de elevación, ya que puede existir un peligro de tropiezo y se pueden dañar los resortes de gas.
- 3 Elevar y bajar la plataforma solo desde un lado. Asegurarse de que no hay personas en la zona de peligro delante o debajo de la plataforma de pesada abierta.



⚠️ ADVERTENCIA

Fallo de los resortes de gas

Incluso el menor daño por corrosión o manchas de pintura en el vástago de pistón pueden provocar un fallo de los resortes de gas.

Las temperaturas fuera del rango de temperatura especificado pueden provocar un fallo de los resortes de gas.

- 1 No operar la PHD779 Lift fuera del rango de temperatura de -10 °C a $+40\text{ °C}$.
- 2 Proteger los resortes de gas contra la suciedad y los daños.
- 3 Si se detectan daños o suciedad, bloquear el marco de elevación en una posición segura y ponerse en contacto con el servicio técnico de METTLER TOLEDO para verificar o sustituir los resortes de gas.



⚠️ ATENCIÓN

Plataforma de pesada con un peso pesado

- Para realizar una operación de elevación segura y ergonómica, es necesario que haya una segunda persona para ayudar a elevar la PHD779 Lift, especialmente para el tamaño de la plataforma de 1500 x 1500 mm.

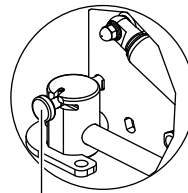
Fuerzas de elevación típicas

Las fuerzas de elevación típicas para abrir la PHD779 Lift dependen del tamaño de la plataforma y de la temperatura ambiente. Cuanto menor sea la temperatura, mayores serán las fuerzas de elevación necesarias.

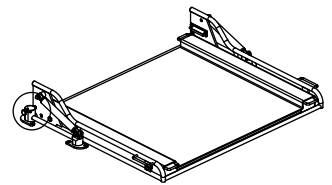
PHD779 Lift Tamaño de la plataforma	Fuerzas de elevación típicas	
	Temp. ambiente $>5\text{ °C}$	Temp. ambiente $\leq 5\text{ °C}$
650 x 650 mm ... 1250 x 1000 mm	<15 kg	<20 kg
1250 x 1250 mm ... 1500 x 1250 mm	<20 kg	<25 kg
1500 x 1500 mm	<25 kg	<30 kg

Procedimiento

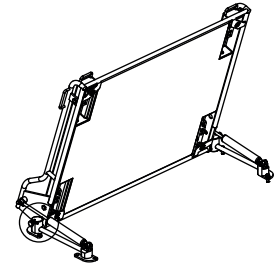
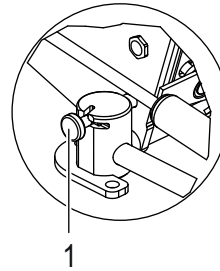
- 1 Retirar las rampas frontal y trasera. Desbloquear los pasadores de bloqueo (1). Para las plataformas de mayor tamaño, también hay dos bloqueos en la parte frontal en los pies.
- 2 Situarse en el lado del marco y elevar la plataforma hacia arriba.
 - ➔ Los dos pasadores se bloquean automáticamente.
- 3 Verificar que los dos pasadores de bloqueo están insertados efectivamente en los orificios de bloqueo.



1



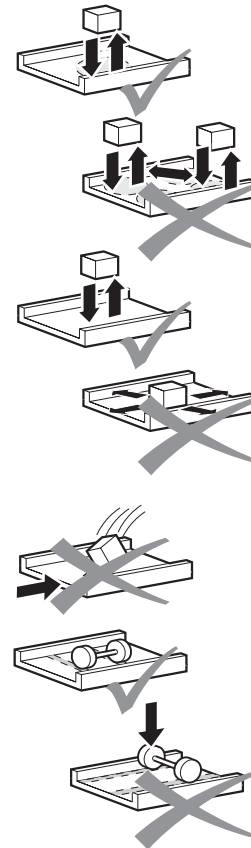
- 4 Desbloquear los pasadores de bloqueo (1) y girar la plataforma hacia abajo hasta la posición horizontal. Para las plataformas de mayor tamaño, también hay dos bloqueos en la parte frontal en los pies.
 - 5 Comprobar que los pasadores de bloqueo están insertados efectivamente en los orificios de bloqueo.
 - 6 Asegurarse de que el marco de elevación está presionado sobre el suelo.
-
- 7 Restaurar las rampas.



3.6 Notas importantes

Para lograr los mejores resultados de pesada, observar lo siguiente:

- Colocar la mercancía para pesar en el centro de la plataforma de pesada.
- Evitar abrasivos y procesos de desgaste.
- Evite los golpes, los impactos laterales y que la carga se caiga.
- Cuando se recorre las plataformas de pesada empotradas con carretillas elevadoras, asegurarse de que la carga axial no sea superior a la máxima carga lateral, ver [Carga máxima permitida ▶ página 14].



3.7 Instalación, servicio y reparación

Para la instalación, configuración, mantenimiento y reparación de las plataformas de pesada llamar al servicio METTLER TOLEDO.

4 Mantenimiento

El mantenimiento de la plataforma de pesada se limita a la limpieza periódica y el posterior aceitado para las versiones de acero inoxidable.

- Haga que un representante de servicio autorizado de METTLER TOLEDO inspeccione y calibre la plataforma de pesada periódicamente.
- Si la plataforma de pesada se utiliza con fines legales para el comercio, consulte a las autoridades locales de pesos y medidas para conocer los requisitos mínimos de inspección.
- Póngase en contacto con su representante autorizado del servicio METTLER TOLEDO local para obtener información sobre la inspección periódica y el servicio de calibración.

4.1 Comprobación periódica

- Comprobar la plataforma de pesada de forma periódica antes de usarla, ver las secciones a continuación.

4.1.1 PHD779 Static / PHD779 Lift

- 1 Oscilar la plataforma para asegurarse de que los pasadores de balancín estén asentados correctamente y no haya agarrotamiento.
- 2 Asegurarse de que todas las esquinas del marco son soportadas y plataforma no se balancea.
- 3 Asegurarse de que las conexiones de los cables de conexión no están sueltas.
- 4 Comprobar los residuos entre la plataforma y el marco.



AVISO

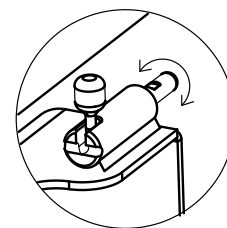
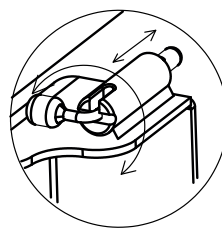
Servicio necesario

En caso de vibraciones recurrentes al abrir o cerrar el marco de elevación o si se percibe cualquier desviación en la fuerza de elevación:

- 1 No reanudar el trabajo.
- 2 Ponerse en contacto con el servicio técnico de METTLER TOLEDO.

4.1.2 PHD779 Mobile

- 1 Comprobar el funcionamiento adecuado del pasador de encastre.
- 2 Asegurarse de que el pasador de encastre no está suelto cuando está bloqueado.
- 3 En caso de limpieza frecuente, lubricar los rodamientos de rodillos de los rodillos móviles con grasa de larga duración.
- 4 Asegurarse de que las ruedas de desplazamiento no están atascadas.



Nota

En condiciones de uso normales, los rodillos están exentos de mantenimiento.

4.2 Notas sobre la limpieza



AVISO

Daño a la plataforma de pesada debido al uso incorrecto de los agentes limpiadores

- 1 Utilizar únicamente agentes limpiadores de efecto no agresivo para los plásticos utilizados en la plataforma de pesada.
- 2 Utilizar únicamente desinfectantes y agentes limpiadores de acuerdo con las instrucciones del fabricante.
- 3 No utilizar agentes limpiadores altamente ácidos, altamente alcalinos o altamente clorados. Evitar las sustancias con un valor pH alto o bajo ya que dichas sustancias aumentan el peligro de corrosión.
- 4 Tener especial cuidado al limpiar la célula de carga.



AVISO

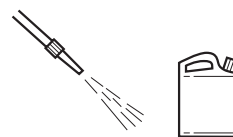
Notas especiales sobre la limpieza de la PHD779 Lift

- 1 Si se utiliza un chorro de agua con una temperatura superior a 60 °C, dejar que el marco de elevación se enfríe a una temperatura de al menos 40 °C antes de reanudar el trabajo.
- 2 Utilizar un casco de seguridad para realizar la limpieza de la plataforma de pesada en posición vertical.
- 3 Asegurarse de que el agente limpiador no causará ninguna corrosión en los resortes de gas.
- 4 El agente limpiador no debe corroer los componentes de latón de los sellados de los resortes de gas.
- 5 Proteger los resortes de gas contra la suciedad y los daños.

- Eliminar la suciedad y los sedimentos del exterior y el interior de la plataforma de pesada a intervalos regulares.
El procedimiento depende tanto del tipo de superficie como de las condiciones ambientales que prevalecen en el lugar de instalación.

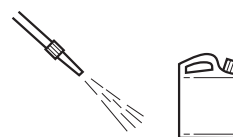
Limpieza en un entorno húmedo

- Utilizar un chorro de agua de hasta 80 °C y máx. 8 bares, a una distancia mínima de 40 cm.
- Utilizar agentes limpiadores suaves.



Limpieza en entorno corrosivo

- Utilizar un chorro de agua de hasta 80 °C y máx. 8 bares, a una distancia mínima de 40 cm.
- Eliminar sustancias corrosivas a intervalos regulares.
- Utilizar únicamente desinfectantes y agentes limpiadores de acuerdo con las instrucciones del fabricante.



4.3 Tratamiento posterior

Con el fin de proteger la plataforma de pesada, llevar a cabo el siguiente tratamiento posterior:

- Enjuagar la plataforma de pesada con agua limpia y retirar el agente limpiador por completo.
- Secar la plataforma de pesada con un paño que no hilache.
- Tratar el exterior de las plataformas de pesada de acero inoxidable con aceite de grado alimentario.



4.4 Eliminación

Conforme a las exigencias de la Directiva 2012/19/UE sobre residuos de aparatos eléctricos y electrónicos (RAEE), esta unidad no debe eliminarse con la basura doméstica. Esta prohibición es asimismo válida para los países que no pertenecen a la UE cuyas normativas nacionales en vigor así lo reflejan.

Elimine este producto, según las disposiciones locales, mediante el sistema de recogida selectiva de aparatos eléctricos y electrónicos. Si tiene alguna pregunta al respecto, diríjase a las autoridades responsables o al distribuidor que le proporcionó el equipo. En caso de que este dispositivo se transfiera a terceros, deberá transmitirse también el contenido de esta normativa.



Eliminación de los resortes de gas

Los resortes de gas dañados deben sustituirse.



ADVERTENCIA

Los resortes de gas están sometidos a una presión muy alta.

- Ponerse en contacto con el servicio técnico de METTLER TOLEDO o al representante de ventas local para sustituir y eliminar los resortes de gas dañados.

5 Datos técnicos y límites de operación

5.1 Intervalo máximo de balanza contrastada

El intervalo de balanza contrastada depende de la célula de carga y la configuración de la balanza.

El intervalo máximo de balanza contrastada es como sigue.

Capacidad	Intervalo máximo de balanza contrastada en [kg]				
	1 x 3.000e SR	1 x 6.000e SR	2 x 3.000e MR	2 x 6.000e MR	2 x 10.000e MR
300 kg	0,1	0,05	150 kg / 0,05 300 kg / 0,1	120 kg / 0,02 300 kg / 0,05	200 kg / 0,02 300 kg / 0,05
600 kg	0,2	0,1	300 kg / 0,1 600 kg / 0,2	300 kg / 0,05 600 kg / 0,1	500 kg / 0,05 600 kg / 0,1
1200 kg	–	0,2	–	600 kg / 0,1 1200 kg / 0,2	–
1500 kg	0,5	–	600 kg / 0,2 1500 kg / 0,5	–	1000 kg / 0,1 1500 kg / 0,2
2000 kg	1,0 (2.000 e)	0,5	1500 kg / 0,5 2000 kg / 1.0	1200 kg / 0,2 2000 kg / 0,5	1000 kg / 0,1 2000 kg / 0,2

SR: Rango simple

MR: Rango múltiple

5.2 Carga máxima permitida

Todas las plataformas de pesada están equipadas con una protección de sobrecarga. Sin embargo, si la carga sobrepasa la carga máxima autorizada, se puede producir daño de las piezas mecánicas.

La capacidad de carga estática, o sea la carga máxima autorizada, depende del tipo de carga (posiciones A – C).

Plataforma	Posición			
	A	B	C	
PHD779 300	880 kg	440 kg	220 kg	
PHD779 600	2540 kg	1270 kg	635 kg	
PHD779 1200	2540 kg	1270 kg	635 kg	
PHD779 1500	5280 kg	2640 kg	1320 kg	
PHD779 2000	5280 kg	2640 kg	1320 kg	

5.3 Condiciones ambientales

La plataforma de pesada puede ser operada sólo en el rango de -10 °C a $+40\text{ °C}$.

5.4 Especificaciones para la Categoría 3

Encontrará las especificaciones para la Categoría 3 en los documentos de homologación correspondientes, ver la tabla en la sección [Otros documentos ▶ página 5].

Sommario

1	Istruzioni di sicurezza	4
1.1	Usò previsto	4
1.2	Utilizzo improprio	4
1.3	Precauzioni in materia di sicurezza generale	4
1.4	Precauzioni per garantire la sicurezza in caso di utilizzo in aree pericolose	4
2	Introduzione	5
2.1	Piattaforme di pesata a basso profilo PHD779	5
2.2	Informazioni su queste istruzioni d'uso	5
2.3	Altri documenti	5
3	Funzionamento	6
3.1	Scelta della posizione	6
3.2	Verifica di funzionamento	6
3.3	Verifica delle rampe	6
3.4	Lavorare con PHD779 Mobile	7
3.4.1	Attivare la modalità movimento	8
3.4.2	Attivare la modalità pesata	8
3.5	Lavorare con PHD779 Liff	9
3.6	Osservazioni importanti	11
3.7	Installazione, manutenzione e riparazione	11
4	Manutenzione	12
4.1	Ispezione regolare	12
4.1.1	PHD779 Static / PHD779 Liff	12
4.1.2	PHD779 Mobile	12
4.2	Osservazioni relative alla pulizia	13
4.3	Trattamento successivo	14
4.4	Smaltimento	14
5	Dati tecnici e limiti di utilizzo	15
5.1	Intervallo massimo di omologazione della bilancia	15
5.2	Carico massimo ammissibile	15
5.3	Condizioni ambiente	15
5.4	Specifiche per Categoria 3	15

METTLER TOLEDO Service

Congratulazioni per aver scelto la qualità e la precisione di METTLER TOLEDO. L'utilizzo corretto di questa nuova apparecchiatura in accordo con le istruzioni riportate in questo Manuale e interventi regolari di calibrazione e manutenzione a cura del nostro team del servizio assistenza appositamente addestrato in fabbrica, garantiscono un funzionamento affidabile e accurato e proteggono il vostro investimento. Contattateci: insieme definiremo un contratto di assistenza su misura per le vostre esigenze e per il vostro budget. Ulteriori informazioni sono disponibili alla pagina web ► www.mt.com/service.

Per ottenere il massimo dal vostro investimento dovete:

- 1 **Registrare il prodotto:** Vi invitiamo a registrare il prodotto alla pagina web www.mt.com/productregistration così potremo tenervi sempre informati sui miglioramenti, gli aggiornamenti e le segnalazioni importanti riguardanti il vostro prodotto.
- 2 **Per interventi di manutenzione/assistenza, contattare METTLER TOLEDO:** Il valore di una misurazione è proporzionale alla sua precisione – una bilancia fuori specifica può comportare una diminuzione della qualità e dei profitti e aumentare la responsabilità. Un servizio tempestivo da parte di METTLER TOLEDO garantirà precisione e ottimizzerà i tempi medi di funzionamento e la durata dell'apparecchiatura.
 - ➔ **Installazione, configurazione, integrazione e addestramento:** I nostri rappresentanti dell'assistenza sono esperti di strumenti di pesata e sono addestrati in fabbrica. Vogliamo essere certi che il vostro strumento di pesata sia pronto per la produzione in maniera efficace rispetto ai costi e tempestiva e che il personale sia ben addestrato.
 - ➔ **Documentazione relativa alla calibrazione iniziale:** L'ambiente di installazione e i requisiti di applicazione sono specifici per ogni bilancia industriale, per cui è necessario testarne e certificarne le prestazioni. I nostri interventi e certificati di calibrazione documentano la precisione per garantire qualità produttiva e fornire un sistema di registrazione e qualificazione delle prestazioni.
 - ➔ **Manutenzione periodica della calibrazione:** Un Accordo in materia di Interventi di Calibrazione garantisce in maniera costante la qualità del vostro processo di pesata e la tenuta della documentazione aggiornata attestante il rispetto dei requisiti. Offriamo una pluralità di programmi di assistenza messi a punto per soddisfare le vostre esigenze e salvaguardare il vostro budget.

1 Istruzioni di sicurezza

1.1 Uso previsto

Le piattaforme di pesata a basso profilo PHD779 fanno parte di un sistema di pesata modulare consistente di un indicatore di pesata METTLER TOLEDO e almeno una piattaforma di pesata.

- Utilizzare la piattaforma di pesata unicamente per operazioni di pesata in accordo con il presente manuale per l'utente.
- La piattaforma di pesata è prevista unicamente per un uso in ambienti al chiuso.
- Qualsiasi altro tipo di utilizzo è da considerarsi non conforme.

Metrologia legale

- Per l'uso in metrologia legale utilizzare esclusivamente piattaforme di pesata certificate.
- Quando la piattaforma di pesata viene utilizzata in metrologia legale, l'esercente è responsabile del rispetto di tutti i requisiti nazionali in vigore in materia di pesi e misure.
- Per domande sull'uso in applicazioni legali per il commercio, vogliate contattare il Servizio Assistenza Tecnica METTLER TOLEDO.

1.2 Utilizzo improprio

- Non utilizzare la piattaforma di pesata per operazioni diverse dalla pesata.
- Non modificare la piattaforma di pesata.
- Non utilizzare la piattaforma di pesata oltre i limiti indicati nelle specifiche tecniche.
- Non utilizzare la piattaforma di pesata per lo stoccaggio di merci.
- Evitare di far cadere oggetti sulla piattaforma di pesata.
- Non utilizzare la piattaforma di pesata in altri ambienti o categorie differenti da quelli specificati nella tabella riportata nella sezione [Dati tecnici e limiti di utilizzo ► pagina 15].

1.3 Precauzioni in materia di sicurezza generale

- Con questo prodotto utilizzare unicamente accessori e gruppi di cavi originali METTLER TOLEDO. L'utilizzo di accessori o gruppi di cavi non autorizzati o contraffatti può dare come risultato annullamento della garanzia, funzionamento non corretto, danneggiamento della proprietà (inclusa l'unità) o lesioni alle persone.

1.4 Precauzioni per garantire la sicurezza in caso di utilizzo in aree pericolose

Le piattaforme di pesata a basso profilo PHD779 sono omologate per aree a rischio di esplosione della Categoria 3 (Zona 2/22).

L'esercente ha la responsabilità di garantire un funzionamento sicuro del sistema di pesata protetto contro le esplosioni.

- Attenersi strettamente alle istruzioni di sicurezza fornite dall'esercente.
- Rispettare tutte le norme nazionali per il funzionamento in aree pericolose, così come le istruzioni e le informazioni contenute nel presente manuale per l'utente.

2 Introduzione

2.1 Piattaforme di pesata a basso profilo PHD779

Il presente manuale per l'utente d'uso riguarda i prodotti elencati sotto.

La gamma di prodotti PHD779 consiste di diversi modelli di prodotto e una varietà di opzioni di prodotto.

Modelli:

- PHD779 Static
- PHD779 Lift
- PHD779 Mobile

Proprietà:

- acciaio inossidabile
- superficie regolare
- adatta per ambienti umidi
- omologata per Categoria 3 (Zona 2/22)

Versioni disponibili:

- varie dimensioni e portate
- omologate o non omologate

2.2 Informazioni su queste istruzioni d'uso

Le presenti istruzioni d'uso contengono tutte le informazioni per l'**operatore** delle piattaforme di pesata a basso profilo PHD779.

- Leggere attentamente queste istruzioni prima dell'uso.
- Conservare queste istruzioni d'uso per future consultazioni.
- Consegnare queste istruzioni d'uso agli eventuali futuri proprietari o utilizzatori dello strumento.



2.3 Altri documenti

Oltre a queste istruzioni d'uso in formato cartaceo, è possibile scaricare i seguenti documenti da

► [http:// www.mt.com](http://www.mt.com):

- Bollettino tecnico/Scheda tecnica

Documenti di omologazione per modelli per impiego aree pericolose

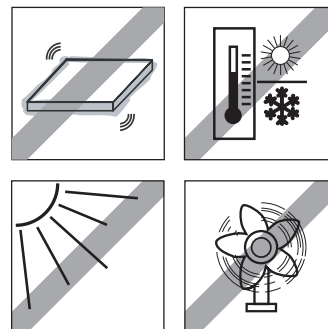
Valutazione meccanica di piattaforme di pesata per la Categoria 3	PHD779	BVS 23 ATEX H/B 018
Cella di carico categoria 3	Cella di carico SLB615d	14ATEX0030X

3 Funzionamento

3.1 Scelta della posizione

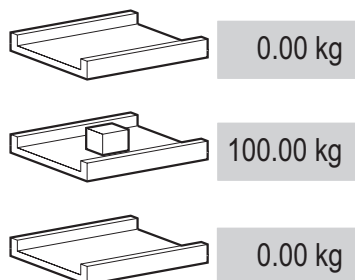
La posizione di installazione corretta è di importanza cruciale ai fini dell'accuratezza dei risultati.

- Accertarsi che la posizione della piattaforma di pesata sia stabile, non soggetta a vibrazioni e in orizzontale.
- Il luogo d'installazione deve soddisfare le seguenti condizioni ambientali:
 - non essere soggetto a forti vibrazioni
 - non essere esposto alla luce diretta del sole
 - non essere esposto a oscillazioni eccessive della temperatura
 - non essere soggetto a forti correnti d'aria



3.2 Verifica di funzionamento

- 1 Accertarsi che la piattaforma di pesata sia collegata a un terminale di pesata e che il terminale di pesata sia acceso.
- 2 Accertarsi che la piattaforma di pesata sia scarica e che l'indicatore del terminale di pesata indichi 0.
- 3 Caricare la piattaforma di pesata.
 - ➔ L'indicatore deve indicare un valore differente da 0.
- 4 Scaricare la piattaforma di pesata.
 - ➔ L'indicatore deve tornare a 0.

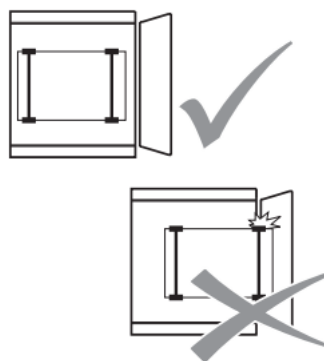


Test di verifica

Per un test di verifica consultare le istruzioni d'uso del terminale di pesata collegato. Se il sigillo di piombatura è rotto, l'omologazione non è più valida.

3.3 Verifica delle rampe

- 1 Accertarsi che durante il processo di pesata tutte le ruote del veicolo adibito al trasporto siano posizionate sul piatto di carico.
- 2 Accertarsi che l'interstizio tra la piattaforma di pesata e la rampa sia libero da depositi di sporco.



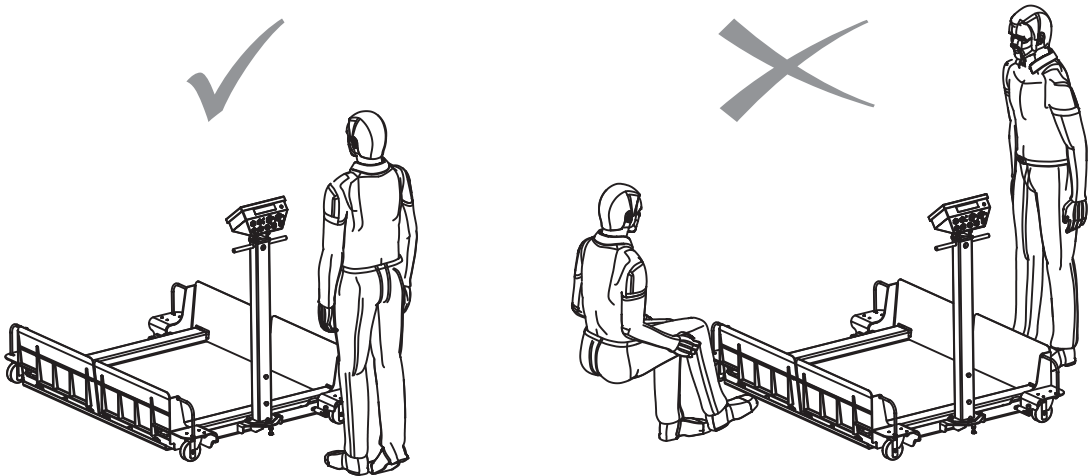
3.4 Lavorare con PHD779 Mobile



AVVERTENZA

Rischio di schiacciamento

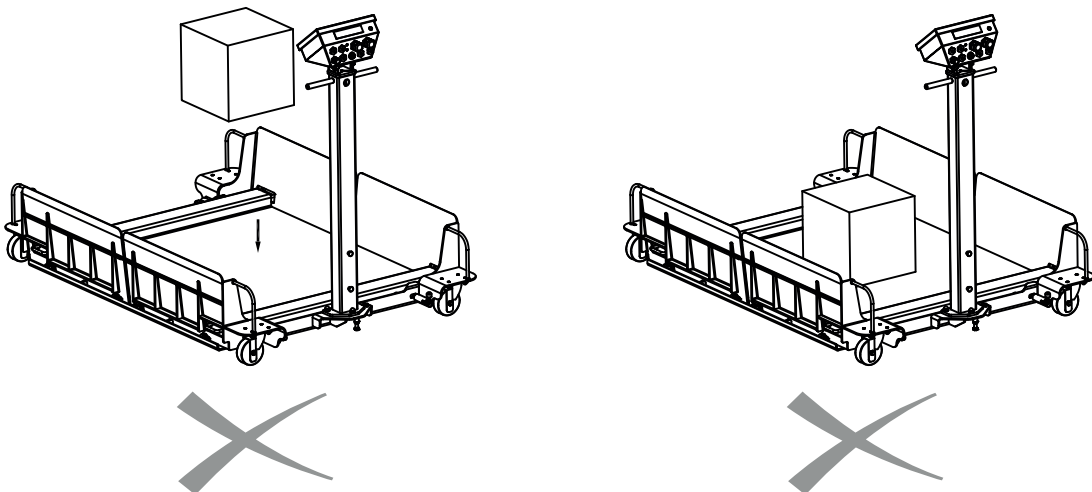
- 1 Solo personale qualificato è autorizzato all'utilizzo della piattaforma di pesata mobile.
- 2 Azionare la piattaforma di pesata mobile solo di lato.
- 3 Non stazionare in aree nelle quali le rampe possono abbassarsi.



ATTENZIONE

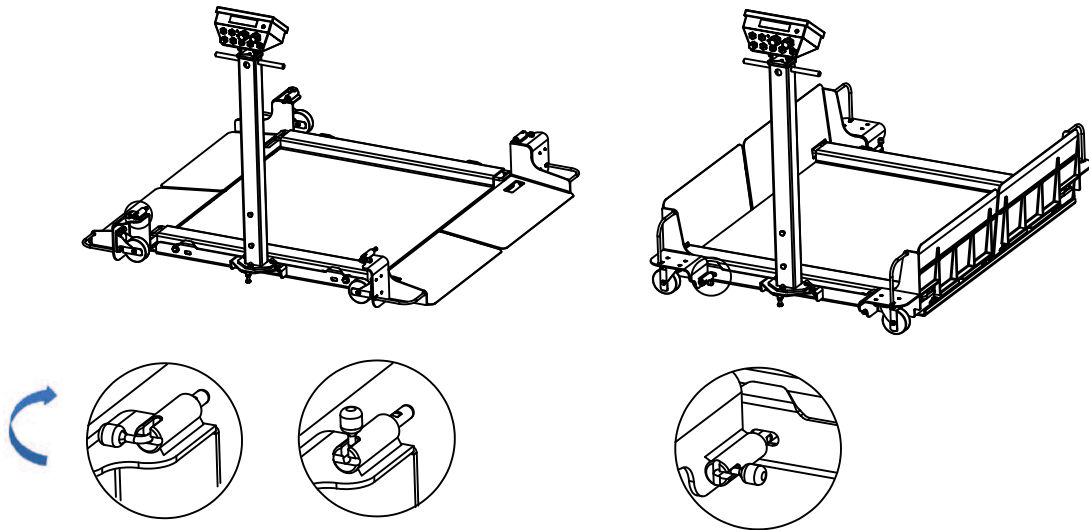
Danneggiamento e/o malfunzionamento della piattaforma di pesata.

- 1 Campioni di pesata o altri carichi non sono ammessi sulla piattaforma di pesata mobile mentre la si sposta.
- 2 Campioni di pesata o altri carichi non sono ammessi sulla piattaforma di pesata mobile mentre le rampe sono sollevate.
- 3 Caricare i campioni di pesata solo in modalità pesata.
- 4 Accertarsi che il cavo di collegamento non tocchi il pavimento.
- 5 Accertarsi che il cavo di terra sia disconnesso prima di muovere la piattaforma di pesata in un ambiente a rischio di esplosione.
- 6 Utilizzare soltanto la maniglia sulla colonna per muovere la piattaforma di pesata.
- 7 Non muovere la piattaforma di pesata mentre del personale staziona su essa.



3.4.1 Attivare la modalità movimento

- 1 Ruotare il perno a stantuffo in direzione verticale dalla direzione orizzontale.
- 2 Afferrare la maniglia della rampa e ribaltare la rampa in posizione verticale.
- 3 Inserire il perno a stantuffo nella fenditura sul lato del telaio.



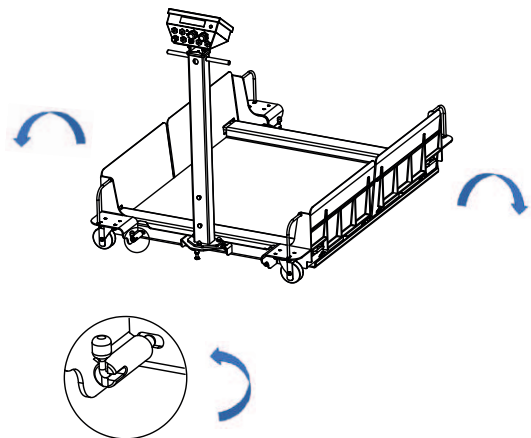
3.4.2 Attivare la modalità pesata

Nota

Prima di attivare la modalità pesata:

- accertarsi che il pavimento sia in bolla con una tolleranza di $\pm 2,5$ mm.
- accertarsi che la piattaforma di pesata sia posizionata correttamente.
- accertarsi che la piattaforma di pesata sia in bolla e, se necessario, regolare.
- per applicazioni in ambienti a rischio di esplosione, accertarsi che il cavo di terra sia collegato prima di mettere in bolla la piattaforma di pesata.

- 1 Posizionare la piattaforma di pesata nel sito prescelto.
- 2 Estrarre il perno a stantuffo. Ruotare il perno a stantuffo in direzione verticale.
- 3 Afferrare la maniglia e ribaltare delicatamente la rampa verso il basso fino a posizionarla in orizzontale.



3.5 Lavorare con PHD779 Lift



AVVERTENZA

Rischio di schiacciamento

- 1 Solo personale opportunamente formato è autorizzato all'utilizzo della piattaforma PHD779 Lift. Si raccomanda di indossare un elmetto di sicurezza e scarpe di sicurezza.
- 2 Non camminare sul telaio di sollevamento perché può essere rischioso e si potrebbero danneggiare le molle pneumatiche.
- 3 Sollevare e abbassare la piattaforma di pesata solo afferandola di lato. Accertarsi che non vi siano persone nell'interno dell'area a rischio di esplosione davanti o al di sotto della piattaforma di pesata aperta.



AVVERTENZA

Cedimento delle molle pneumatiche

Persino danni di piccola entità, corrosione o macchie di vernice sull'asta del pistone possono comportare il cedimento delle molle pneumatiche.

Temperature al di fuori dell'intervallo di temperatura specificato possono comportare il cedimento delle molle pneumatiche.

- 1 Non utilizzare la piattaforma PHD779 Lift al di fuori dell'intervallo di temperatura compreso tra -10 °C e +40 °C.
- 2 Proteggere le molle pneumatiche contro sporco e danneggiamenti.
- 3 Se si rileva la presenza di danneggiamenti o sporco, bloccare il telaio di sollevamento in una posizione sicura e contattare il Servizio Assistenza Tecnica METTLER TOLEDO per verificare il funzionamento delle molle pneumatiche o per sostituirle.



ATTENZIONE

Piattaforma di pesata per carichi pesanti

- Per lavorare in condizioni di sicurezza ed ergonomiche farsi aiutare da una seconda persona per sollevare la piattaforma PHD779 Lift, in particolare per piattaforme da 1500 x 1500 mm.

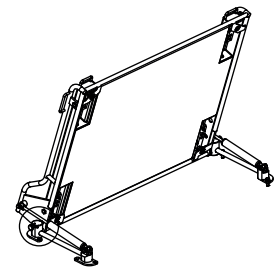
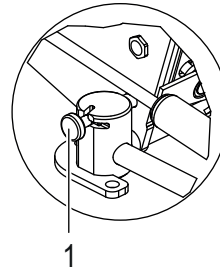
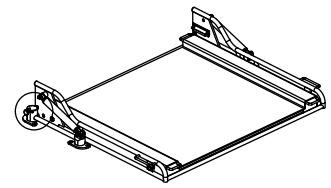
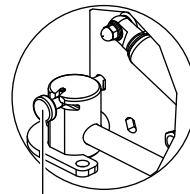
Forze di sollevamento tipiche

Le forze di sollevamento tipiche per aprire la piattaforma PHD779 Lift dipendono dalla dimensione della piattaforma e dalla temperatura ambiente. Minore è la temperatura, maggiori sono le forze di sollevamento necessarie.

PHD779 Lift Dimensione piattaforma	Forze di sollevamento tipiche	
	Temperatura ambiente >5 °C	Temperatura ambiente <5 °C
650 x 650 mm ... 1250 x 1000 mm	<15 kg	<20 kg
1250 x 1250 mm ... 1500 x 1250 mm	<20 kg	<25 kg
1500 x 1500 mm	<25 kg	<30 kg

Procedura

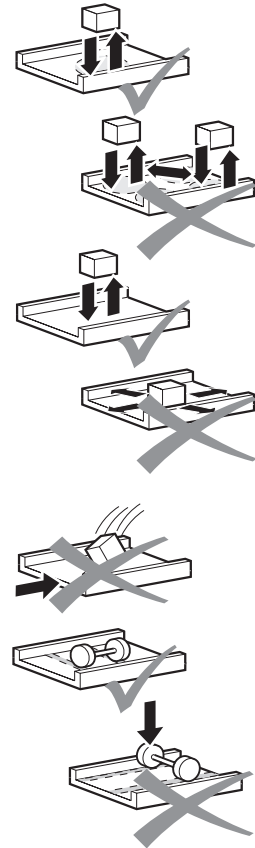
- 1 Rimuovere le rampe anteriore e posteriore. Sbloccare i perni di bloccaggio (1). Per piattaforme di dimensioni maggiori, sono presenti due perni di bloccaggio anche sulla parte anteriore dei piedini.
- 2 Posizionarsi sul lato del telaio e sollevare la piattaforma verso l'alto.
➔ I due perni si bloccano automaticamente.
- 3 Verificare che i due perni di bloccaggio siano effettivamente inseriti nei fori di bloccaggio.
- 4 Sbloccare i perni di bloccaggio (1) e ruotare la piattaforma verso il basso in posizione orizzontale. Per piattaforme di dimensioni maggiori, sono presenti due perni di bloccaggio anche sulla parte anteriore dei piedini.
- 5 Controllare che i perni di bloccaggio siano effettivamente inseriti nei fori di bloccaggio.
- 6 Accertarsi che il telaio di sollevamento sia premuto al suolo.
- 7 Resettare le rampe.



3.6 Osservazioni importanti

Per ottenere i migliori risultati di pesata osservare quanto segue:

- collocare il campione di pesata al centro della piattaforma di pesata.
- evitare procedure che causano abrasione e usura.
- evitare cadute di carichi, urti e impatti laterali.
- in caso di movimentazione di merci su piattaforme di pesata incassate mediante transpallet, accertarsi che il carico assiale non superi il carico laterale massimo, vedere [Carico massimo ammissibile ► pagina 15].



3.7 Installazione, manutenzione e riparazione

Per interventi di installazione, configurazione, manutenzione e riparazione delle piattaforme di pesata contattare il Servizio Assistenza Tecnica METTLER TOLEDO.

4 Manutenzione

La manutenzione della piattaforma di pesata è limitata alla pulizia regolare e alla successiva lubrificazione per i modelli in acciaio inossidabile.

- Far ispezionare e calibrare periodicamente la piattaforma di pesata da un rappresentante autorizzato dell'assistenza tecnica METTLER TOLEDO.
- Se la piattaforma di pesata viene impiegata per scopi legali, consultare le autorità locali in materia di pesi e misure per i requisiti minimi di controllo.
- Rivolgersi al locale rappresentante autorizzato del Servizio Assistenza Tecnica METTLER TOLEDO per informazioni riguardanti gli interventi periodici di ispezione e calibrazione Assistenza tecnica.

4.1 Ispezione regolare

- Ispezionare la piattaforma di pesata a intervalli regolari prima di utilizzarla, vedere le istruzioni fornite sotto.

4.1.1 PHD779 Static / PHD779 Lift

- 1 Far oscillare la piattaforma al fine di accertarsi che i perni bilancieri siano alloggiati correttamente e non vi siano inceppamenti.
- 2 Accertarsi che tutti gli spigoli del telaio siano supportati e che la piattaforma non oscilli.
- 3 Accertarsi che i collegamenti dei cavi interni non siano laschi.
- 4 Controllare che non siano presenti residui tra la piattaforma e il telaio.



AVVISO

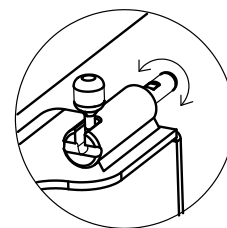
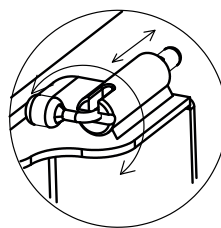
Quando è necessario rivolgersi all'assistenza

In caso di vibrazioni di ritorno quando si apre o si chiude il telaio di sollevamento o quando si osservano deviazioni di qualsiasi tipo della forza di sollevamento:

- 1 non riprendere il lavoro.
- 2 contattare il Servizio Assistenza Tecnica METTLER TOLEDO.

4.1.2 PHD779 Mobile

- 1 Verificare il corretto funzionamento del perno a stantuffo.
- 2 Accertarsi che il perno a stantuffo non sia lasco quando è bloccato.
- 3 In caso di pulizia frequente, lubrificare i cuscinetti a sfere dei rulli in movimento con grasso a lunga durata.
- 4 Accertarsi che le rotelle di scorrimento non siano incastrate.



Nota

In condizioni normali di utilizzo, i rulli non richiedono manutenzione.

4.2 Osservazioni relative alla pulizia



AVVISO

Danneggiamento della piattaforma di pesata dovuto a un utilizzo improprio di agenti detergenti

- 1 Utilizzare esclusivamente agenti detergenti che non danneggiano i materiali plastici utilizzati nella piattaforma di pesata.
- 2 Utilizzare unicamente disinfettanti e agenti detergenti in accordo con le istruzioni fornite dal fabbricante.
- 3 Non utilizzare agenti detergenti altamente acidi, alcalini o clorurati. Evitare sostanze con un valore di pH alto o basso, in quanto tali sostanze comportano un rischio maggiore di corrosione.
- 4 Prestare particolare attenzione quando si pulisce la cella di carico.



AVVISO

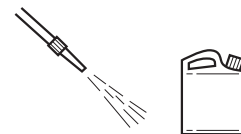
Note speciali sulla pulizia di PHD779 Lift

- 1 Quando si utilizza un getto d'acqua con una temperatura superiore a 60 °C, lasciare che il telaio di sollevamento si raffreddi fino a una temperatura di almeno 40 °C prima di riprendere a lavorare.
- 2 Indossare un elmetto di sicurezza quando si effettua la pulizia della piattaforma di pesata in posizione verticale.
- 3 Accertarsi che l'agente detergente non provochi corrosione sulle molle pneumatiche.
- 4 L'agente detergente non deve corrodere i componenti in ottone delle guarnizioni delle molle pneumatiche.
- 5 Proteggere le molle pneumatiche contro sporco e danneggiamenti.

- Rimuovere sporco e depositi dall'esterno e dall'interno della piattaforma di pesata a intervalli regolari. La procedura dipende dal tipo di superficie e dalle condizioni ambientali prevalenti presso il luogo d'installazione.

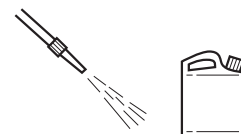
Pulizia in un ambiente umido

- Utilizzare un getto d'acqua fino a 80 °C e massimo 8 bar, distanza minima 40 cm.
- Utilizzare agenti detergenti delicati.



Pulizia in un ambiente corrosivo

- Utilizzare un getto d'acqua fino a 80 °C e massimo 8 bar, distanza minima 40 cm.
- Rimuovere le sostanze corrosive a intervalli regolari.
- Utilizzare unicamente disinfettanti e agenti detergenti in accordo con le specifiche e le istruzioni fornite dal fabbricante.



4.3 Trattamento successivo

Per proteggere la piattaforma di pesata, effettuare il seguente trattamento successivo:

- Lavare la piattaforma di pesata con acqua pulita e rimuovere completamente l'agente detergente.
- Asciugare la piattaforma di pesata con un panno privo di filacce.
- Per piattaforme di pesata in acciaio inossidabile, trattare l'esterno con olio per uso alimentare.



4.4 Smaltimento

In conformità a quanto stabilito dalla Direttiva Europea 2012/19/UE sui rifiuti di apparecchiature elettriche ed elettroniche (RAEE), il presente strumento non può essere smaltito tra i rifiuti domestici. Tale presupposto resta valido anche per i Paesi al di fuori dei confini della UE, conformemente alle norme nazionali vigenti.

Smaltire il prodotto in conformità con le disposizioni locali, presso un punto di raccolta specifico per apparecchiature elettriche ed elettroniche. Per qualsiasi chiarimento, rivolgersi agli enti preposti o al rivenditore dell'apparecchiatura stessa. Nel caso in cui si debba cedere lo strumento a terzi, occorre allegare il contenuto della normativa citata.



Smaltimento di molle pneumatiche

Eventuali molle pneumatiche danneggiate devono essere sostituite.



AVVERTENZA

Le molle pneumatiche sono sottoposte a pressioni molto elevate.

- Contattare il Servizio Assistenza Tecnica METTLER TOLEDO o il rappresentante locale per sostituire e smaltire le molle pneumatiche danneggiate.

5 Dati tecnici e limiti di utilizzo

5.1 Intervallo massimo di omologazione della bilancia

L'intervallo di omologazione della bilancia dipende dalla cella di carico e dalla configurazione della bilancia. L'intervallo massimo di omologazione della bilancia è indicato sotto.

Portata	Intervallo massimo di omologazione della bilancia in [kg]				
	1 x 3.000e SR	1 x 6.000e SR	2 x 3.000e MR	2 x 6.000e MR	2 x 10.000e MR
300 kg	0,1	0,05	150 kg / 0,05 300 kg / 0,1	120 kg / 0,02 300 kg / 0,05	200 kg / 0,02 300 kg / 0,05
600 kg	0,2	0,1	300 kg / 0,1 600 kg / 0,2	300 kg / 0,05 600 kg / 0,1	500 kg / 0,05 600 kg / 0,1
1200 kg	–	0,2	–	600 kg / 0,1 1200 kg / 0,2	–
1500 kg	0,5	–	600 kg / 0,2 1500 kg / 0,5	–	1000 kg / 0,1 1500 kg / 0,2
2000 kg	1,0 (2.000 e)	0,5	1500 kg / 0,5 2000 kg / 1,0	1200 kg / 0,2 2000 kg / 0,5	1000 kg / 0,1 2000 kg / 0,2

SR: A campo singolo

MR: Intervalli multipli

5.2 Carico massimo ammissibile

Tutte le piattaforme di pesata sono equipaggiate con una protezione contro il sovraccarico. Tuttavia, se il carico supera il carico massimo ammissibile, possono verificarsi danneggiamenti delle parti meccaniche.

La portata statica, cioè il carico massimo ammissibile, dipende dal tipo di carico (posizioni A – C).

Piattaforma	Posizione			
	A	B	C	
PHD779 300	880 kg	440 kg	220 kg	
PHD779 600	2540 kg	1270 kg	635 kg	
PHD779 1200	2540 kg	1270 kg	635 kg	
PHD779 1500	5280 kg	2640 kg	1320 kg	
PHD779 2000	5280 kg	2640 kg	1320 kg	

5.3 Condizioni ambiente

La piattaforma di pesata può essere utilizzata esclusivamente a temperature comprese tra -10 °C e $+40\text{ °C}$.

5.4 Specifiche per Categoria 3

Le specifiche per la Categoria 3 sono riportate nei documenti di omologazione del modello corrispondente, vedere la tabella riportata nella sezione [Altri documenti ▶ pagina 5].

Inhoudsopgave

1	Veiligheidsinstructies	4
1.1	Bedoeld gebruik	4
1.2	Niet-bedoeld gebruik	4
1.3	Algemene veiligheidsmaatregelen	4
1.4	Veiligheidsmaatregelen voor gebruik in explosiegevaarlijk gebied	4
2	Inleiding	5
2.1	PHD779 weegplatformen met laag profiel	5
2.2	Over deze bedieningshandleiding	5
2.3	Overige documenten	5
3	Gebruik	6
3.1	Controle van de locatie	6
3.2	Functionele controle	6
3.3	Controleren van opritten	6
3.4	Gebruik PHD779 Mobile	7
3.4.1	Het weegplatform voorbereiden om te verplaatsen	8
3.4.2	Het weegplatform voorbereiden om te wegen	8
3.5	Gebruik PHD779 Liff	9
3.6	Belangrijke aanwijzingen	10
3.7	Installatie, onderhoud en reparaties	10
4	Onderhoud	11
4.1	Periodieke controle	11
4.1.1	PHD779 Static / PHD779 Liff	11
4.1.2	PHD779 Mobile	11
4.2	Aanwijzingen voor reiniging	12
4.3	Vervolgbehandeling	13
4.4	Afvoer	13
5	Technische gegevens en gebruiksgrenzen	14
5.1	Maximale ijkwaarde	14
5.2	Maximale toegestane belasting	14
5.3	Omgevingsomstandigheden	14
5.4	Specificaties voor Categorie 3	14

METTLER TOLEDO Service

Hartelijk gefeliciteerd dat u hebt gekozen voor de kwaliteit en precisie van METTLER TOLEDO. Zorgvuldig gebruik van uw nieuwe apparatuur conform deze handleiding en regelmatige kalibratie en onderhoud door onze professionele klantenservice verzekeren een langdurig betrouwbare werking en waardebehoud van uw meetapparatuur. Neem contact met ons op voor een service-overeenkomst afgestemd op uw behoeften en budget. Zie voor meer informatie ► www.mt.com/service.

Er zijn een aantal manieren om het meeste te halen uit uw investering:

- 1 **Registreer uw product:** Registreer uw nieuwe product onder www.mt.com/productregistration zodat wij u kunnen informeren over verbeteringen, updates en andere belangrijke mededelingen betreffende uw product.
- 2 **Neem contact op met METTLER TOLEDO voor service:** De waarde van een meting is evenredig aan de nauwkeurigheid ervan – een weegschaal die weegt buiten zijn specificaties kan kwaliteit en winstgevendheid verminderen en aansprakelijkheidsrisico's vergroten. Tijdige service door METTLER TOLEDO garandeert de nauwkeurigheid en optimaliseert de beschikbaarheid en levensduur van de apparatuur.
 - ➔ **Installatie, configuratie, integratie en training:** Onze servicemonteurs zijn professioneel getrainde experts op het gebied van weegapparatuur. Wij zorgen ervoor dat uw weegapparatuur gebruiksklaar is, vlot en tegen lage kosten, en dat uw personeel succesvol is geïnstrueerd.
 - ➔ **Initiële kalibratiedocumentatie:** De installatie-omgeving en randvoorwaarden van de toepassing zijn uniek voor elke industriële weegschaal, daarom moeten de prestaties worden getest en gecertificeerd. Onze kalibratiediensten en -certificaten documenteren de nauwkeurigheid voor een juiste productiekwaliteit in het kader van een kwaliteitssysteem.
 - ➔ **Periodieke kalibratie:** Een kalibratieservice-overeenkomst verschaft blijvende zekerheid dat uw weegproces en documentatie in overeenstemming zijn met de eisen. Wij bieden diverse serviceschema's, afgestemd op uw behoeften en budget.

1 Veiligheidsinstructies

1.1 Bedoeld gebruik

PHD779 weegplatformen met laag profiel maken deel uit van een modulair weegstelsel bestaande uit een METTLER TOLEDO weegdisplay en ten minste één weegplatform.

- Gebruik het weegplatform uitsluitend voor weegwerkzaamheden in overeenstemming met deze bedieningshandleiding.
- Het weegplatform is uitsluitend bedoeld voor gebruik binnenshuis.
- Elk ander gebruik wordt beschouwd als niet-bedoeld gebruik.

Wettelijke metrologie

- Gebruik uitsluitend goedgekeurde weegplatformen voor gebruik dat valt onder wettelijke metrologie.
- Bij gebruik van het weegplatform voor wettelijke metrologie is de gebruiker verantwoordelijk voor naleving van alle nationale voorschriften voor maten en gewichten.
- Neem contact op met de METTLER TOLEDO service-organisatie bij vragen over het gebruik voor wettelijke handelstoepassingen.

1.2 Niet-bedoeld gebruik

- Gebruik het weegplatform niet voor andere werkzaamheden dan wegen.
- Breng geen wijzigingen aan aan het weegplatform.
- Gebruik het weegplatform niet buiten de grenzen van de technische specificaties.
- Gebruik het weegplatform niet als opslagruimte.
- Voorkom het vallen van voorwerpen op het weegplatform.
- Gebruik het weegplatform niet in een andere omgeving of Ex-zone dan vermeld in de paragraaf [Technische gegevens en gebruiksgrenzen ► pagina 14].

1.3 Algemene veiligheidsmaatregelen

- Gebruik uitsluitend originele METTLER TOLEDO accessoires en kabels voor dit product. Het gebruik van niet-vrijgegeven of nagemaakte accessoires en aansluitkabels kan leiden tot het vervallen van de garantie, tot foutieve metingen of tot materiële schade (ook aan de eenheid zelf) en tot persoonlijk letsel.

1.4 Veiligheidsmaatregelen voor gebruik in explosiegevaarlijk gebied

PHD779 weegplatformen met laag profiel zijn goedgekeurd voor gebruik in explosiegevaarlijke gebieden conform Categorie 3 (Ex-zone 2/22).

De gebruiker is verantwoordelijk voor een veilig gebruik van het explosieveilige weegstelsel.

- Neem de veiligheidsinstructies van de gebruiker in acht.
- Neem alle nationale wet- en regelgeving voor gebruik in explosiegevaarlijke gebieden in acht, naast de instructies en informatie in deze bedieningshandleiding.

2 Inleiding

2.1 PHD779 weegplatformen met laag profiel

Deze bedieningshandleiding betreft de hieronder vermelde producten.

De PHD779 productfamilie bestaat uit verschillende productmodellen met een breed scala aan productopties.

Modellen:

- PHD779 Static
- PHD779 Liff
- PHD779 Mobile

Eigenschappen:

- roestvrij staal
- glad oppervlak
- geschikt voor een natte omgeving
- goedgekeurd conform Categorie 3 (Ex-zone 2/22)

Beschikbare versies:

- diverse afmetingen en capaciteiten
- goedgekeurd en niet-gekeurd

2.2 Over deze bedieningshandleiding

Deze bedieningshandleiding bevat alle informatie voor de **bediener** van de PHD779 weegplatformen met laag profiel.

- Lees deze bedieningshandleiding zorgvuldig door voor gebruik.
- Bewaar deze bedieningshandleiding voor toekomstig gebruik.
- Geef deze bedieningshandleiding door aan een toekomstige eigenaar of gebruiker van het product.



2.3 Overige documenten

Naast deze gedrukte versie van de bedieningshandleiding kunt u onderstaande documenten downloaden van

► <http://www.mt.com>:

- Brochure/datablad

Typegoedkeuringsdocumenten voor gebruik in explosiegevaarlijke gebieden

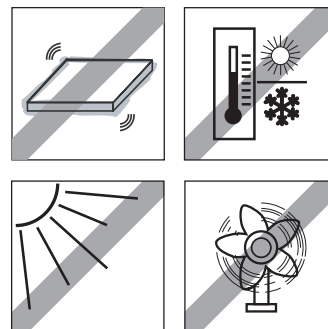
Mechanische beoordeling van weegplatformen voor Categorie 3	PHD779	BVS 23 ATEX H/B 018
Categorie 3 weegcel	Weegcel SLB615d	14ATEX0030X

3 Gebruik

3.1 Controle van de locatie

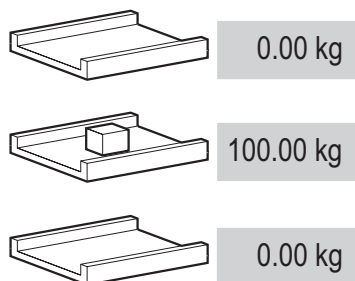
Een juiste locatie is van essentieel belang voor de nauwkeurigheid van de weegresultaten.

- Controleer dat de locatie van het weegplatform stabiel, trillingvrij en horizontaal is.
- Neem onderstaande omgevingsvoorwaarden in acht:
 - Geen zware trillingen
 - Geen direct zonlicht
 - Geen overmatige temperatuurfuctuaties
 - Geen sterke luchtverplaatsingen



3.2 Functionele controle

- 1 Controleer dat het weegplatform is aangesloten op een weegterminal en dat de weegterminal is ingeschakeld.
- 2 Controleer dat het weegplatform onbelast is en het display van de weegterminal op 0 staat.
- 3 Belaad het weegplatform.
 - ➔ Het display moet een waarde ongelijk 0 weergeven.
- 4 Maak het weegplatform leeg.
 - ➔ Het display moet weer op 0 staan.

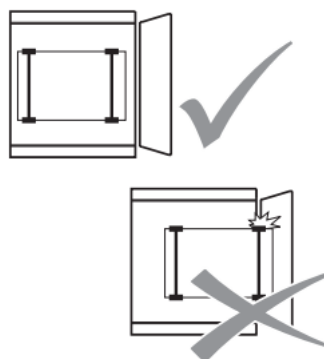


Keuringcontrole

Zie voor een keuringcontrole de bedieningshandleiding van de aangesloten weegterminal. Wanneer de verzegeling is verbroken, is de keuring niet langer geldig.

3.3 Controleren van opritten

- 1 Zorg dat alle wielen van het transportvoertuig zich tijdens het weegproces op het weegplateau bevinden.
- 2 Controleer dat de spleet tussen het weegplatform en de oprit vrij is van vuil.



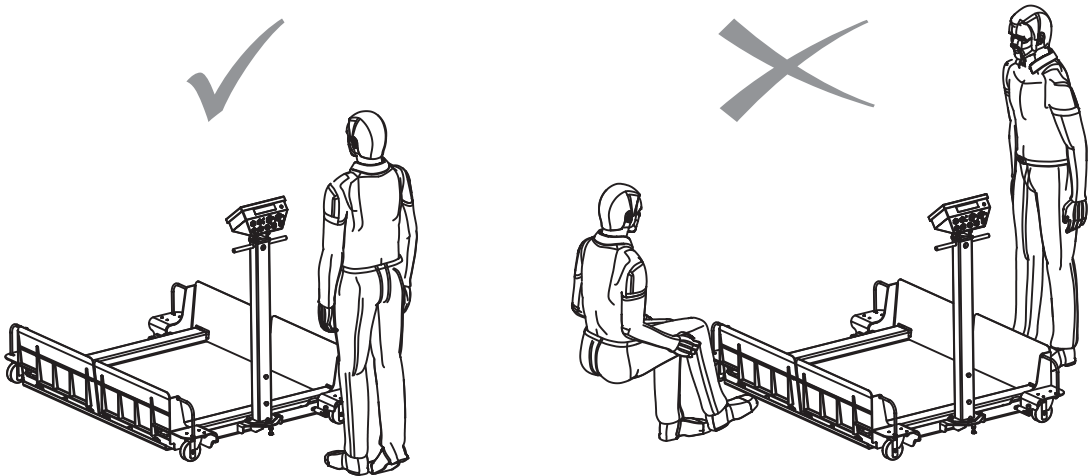
3.4 Gebruik PHD779 Mobile



⚠ WAARSCHUWING

Gevaar van verbrijzeling

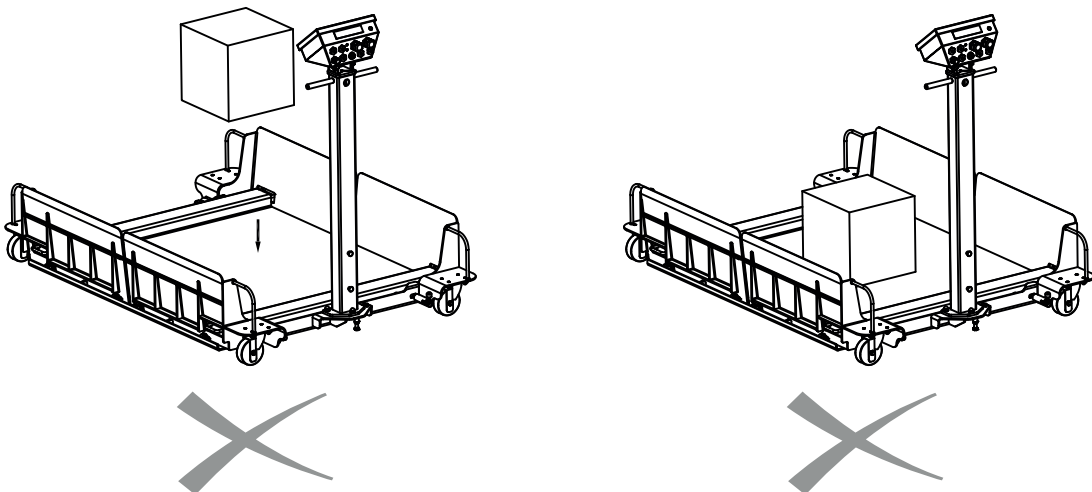
- 1 Uitsluitend gekwalificeerd personeel mag het mobiele weegplatform bedienen.
- 2 Bedien het mobiele weegplatform uitsluitend vanaf de zijkant.
- 3 Ga niet staan op een plek waar de opritten omlaag kunnen kantelen.



⚠ VOORZICHTIG

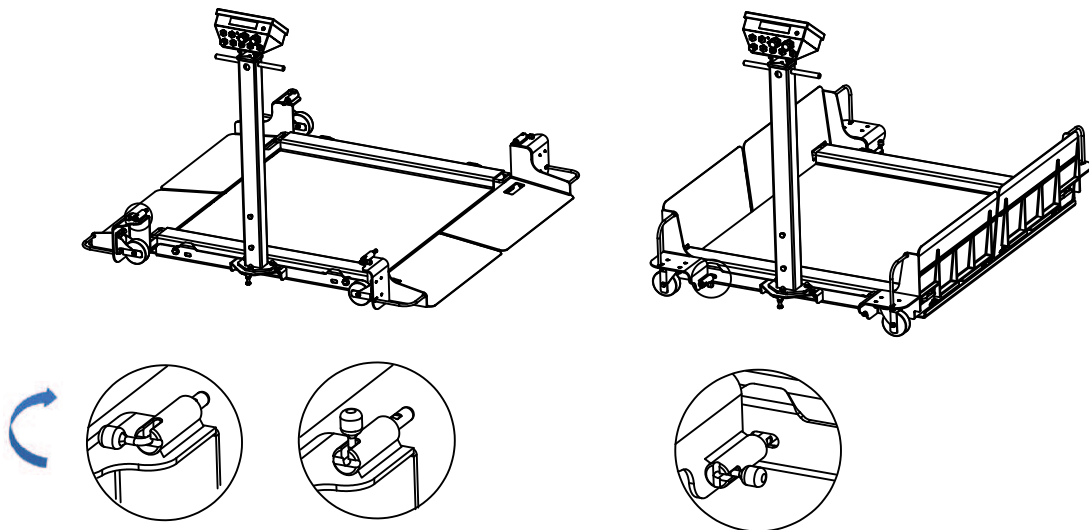
Schade aan en/of storingen van het weegplatform

- 1 Er mogen zich geen weegproducten of andere voorwerpen op het mobiele weegplatform bevinden tijdens het verplaatsen daarvan.
- 2 Er mogen zich geen weegproducten of andere voorwerpen op het mobiele weegplatform bevinden terwijl de opritten omhoog zijn gekanteld.
- 3 Plaats te wegen producten uitsluitend op het weegplatform in de weegstand.
- 4 Controleer dat de aansluitkabel niet de vloer raakt.
- 5 Controleer in een explosiegevaarlijke omgeving dat de aardkabel is losgemaakt voordat het weegplatform wordt verplaatst.
- 6 Gebruik uitsluitend het handvat op de kolom om het weegplatform te verplaatsen.
- 7 Verplaats het weegplatform niet terwijl zich daar personen op bevinden.



3.4.1 Het weegplatform voorbereiden om te verplaatsen

- 1 Draai de borgpen vanuit de horizontale stand naar de verticale stand.
- 2 Pak de oprit vast aan het handvat en kantel de oprit omhoog.
- 3 Steek de borgpen in het gat aan de zijkant van het frame.



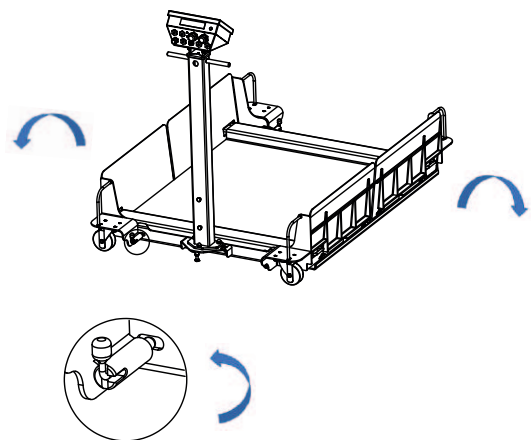
3.4.2 Het weegplatform voorbereiden om te wegen

[i] Opmerking

Voorafgaand aan het voorbereiden om te wegen:

- Controleer dat de vloer horizontaal is binnen $\pm 2,5$ mm.
- Controleer dat het weegplatform correct is gepositioneerd.
- Controleer dat het weegplatform horizontaal staat of stel het zo nodig af.
- In een explosiegevaarlijke omgeving moet de aardkabel zijn aangesloten voordat het weegplatform horizontaal wordt afgesteld.

- 1 Verplaats het weegplatform naar de geselecteerde locatie.
- 2 Trek de borgpen uit. Draai de borgpen naar de verticale stand.
- 3 Pak de oprit vast aan het handvat en kantel de oprit voorzichtig omlaag tot deze vlak ligt.



3.5 Gebruik PHD779 Lift



WAARSCHUWING

Gevaar van verbrijzeling

- 1 Uitsluitend geïnstrueerd personeel mag de PHD779 Lift bedienen. Het wordt aanbevolen om een veiligheidshelm en veiligheidsschoenen te dragen.
- 2 Loop niet over het hefframe omdat u hierover kunt struikelen en daardoor de gasveren kunt beschadigen.
- 3 Laat het platform uitsluitend vanaf de zijkant omhoog en omlaag bewegen. Controleer dat zich geen personen bevinden in de gevarezone aan de voorzijde van of onder het omlaag geklapte weegplatform.



WAARSCHUWING

Falen van de gasveren

Zelfs geringe beschadigingen, corrosie of verfspatten op de zuigerstang kunnen leiden tot falen van de gasveren.

Temperaturen buiten het gespecificeerde temperatuurbereik kunnen leiden tot falen van de gasveren.

- 1 Gebruik de PHD779 Lift niet buiten een temperatuurbereik van -10 °C tot $+40\text{ °C}$.
- 2 Bescherm de gasveren tegen vuil en beschadigingen.
- 3 Borg het hefframe in een veilige stand en neem contact op met de METTLER TOLEDO service wanneer er sprake is van beschadigingen of vuil om de gasveren te controleren en/of te vervangen.



VOORZICHTIG

Zwaar weegplatform

- Laat voor veilig en ergonomisch tillen een tweede persoon helpen om de PHD779 Lift te tillen resp. te kantelen, in het bijzonder voor de platformafmeting 1500 x 1500 mm.

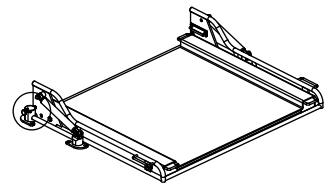
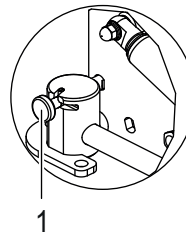
Gangbare tilkracht

De gangbare tilkracht om de PHD779 Lift omlaag of omhoog te kantelen is afhankelijk van de platformafmetingen en de omgevingstemperatuur. Hoe lager de temperatuur, hoe hoger de vereiste tilkracht.

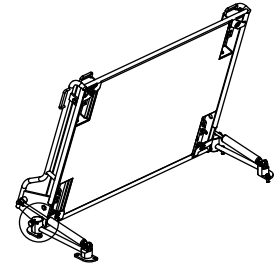
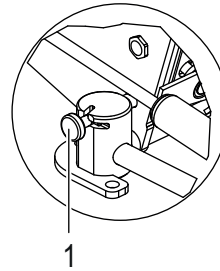
PHD779 Lift Platformafmeting	Gangbare tilkracht	
	Omgevingstemp. $>5\text{ °C}$	Omgevingstemp. $\leq 5\text{ °C}$
650 x 650 mm ... 1250 x 1000 mm	$<15\text{ kg}$	$<20\text{ kg}$
1250 x 1250 mm ... 1500 x 1250 mm	$<20\text{ kg}$	$<25\text{ kg}$
1500 x 1500 mm	$<25\text{ kg}$	$<30\text{ kg}$

Procedure

- 1 Verwijder de opritten aan de voor- en achterzijde. Ontgrendel de borgpennen (1). De grotere platformen zijn ook aan de voorzijde van de poten voorzien van twee borgpennen.
- 2 Ga aan de zijkant van het frame staan en klap het platform omhoog.
 - ➔ De twee borgpennen vergrendelen automatisch.
- 3 Controleer dat de borgpennen goed in de betreffende gaten steken.



- 4 Ontgrendel de borgpennen (1) en klap het platform omlaag naar de horizontale stand. De grotere platformen zijn ook aan de voorzijde van de poten voorzien van twee borgpennen.
- 5 Controleer dat de borgpennen goed in de betreffende gaten steken.
- 6 Controleer dat het hefframe op de grond rust.



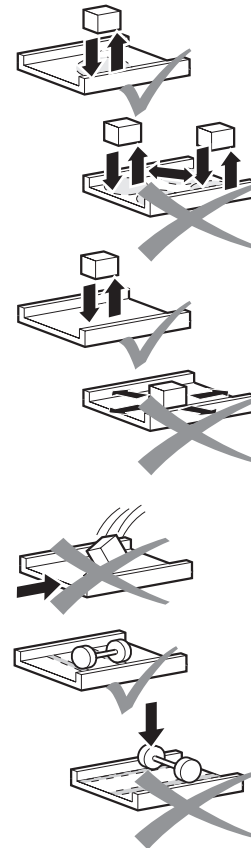
- 7 Breng de opritten weer aan.



3.6 Belangrijke aanwijzingen

Neem voor optimale weegresultaten het onderstaande in acht:

- Plaats het te wegen product in het midden van het weegplatform.
- Voorkom krassen en slijtage.
- Voorkom belasting door vallende voorwerpen, schokken en zijdelingse stoten.
- Controleer bij het rijden met pallettrucks over verzonken weegplatformen, dat de aslast de maximale randbelasting niet overschrijdt. Zie de [Maximale toegestane belasting ► pagina 14].



3.7 Installatie, onderhoud en reparaties

Neem voor installatie, configuratie, service en reparatie van de weegplatformen contact op met de METTLER TOLEDO service.

4 Onderhoud

Onderhoud van het weegplatform is beperkt tot regelmatig reinigen en smeren voor roestvrij stalen uitvoeringen.

- Laat een geautoriseerde METTLER TOLEDO vertegenwoordiger het weegplatform periodiek inspecteren en kalibreren.
- Neem contact op met een bevoegd lokaal meetinstituut voor de minimum inspectievereisten indien het weegplatform wordt gebruikt voor wettelijke handelstoepassingen.
- Neem contact op met uw lokale geautoriseerde METTLER TOLEDO vertegenwoordiger voor informatie over periodieke inspectie en kalibratie.

4.1 Periodieke controle

- Controleer het weegplatform periodiek voorafgaand aan het gebruik, zie onderstaande paragrafen.

4.1.1 PHD779 Static / PHD779 Lift

- 1 Beweeg het platform op en neer om te controleren dat de tuimelpennen goed zitten en het platform nergens aanloopt.
- 2 Controleer dat alle hoeken van het frame worden ondersteund en dat het platform niet wiebelt.
- 3 Controleer dat de kabelaan sluitingen niet los zitten.
- 4 Controleer op vuil tussen het platform en het frame.



LET OP

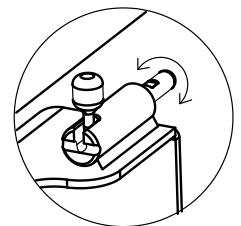
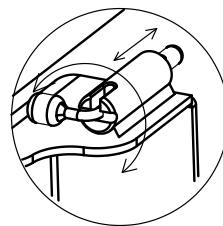
Service vereist

Wanneer herhaaldelijk trillingen optreden bij het omlaag of omhoog kantelen van het hefframe of wanneer er afwijkingen optreden in de vereiste tilkracht:

- 1 Hervat de werkzaamheden niet.
- 2 Neem contact op met de METTLER TOLEDO service.

4.1.2 PHD779 Mobile

- 1 Controleer de goede werking van de borgpen.
- 2 Controleer dat de borgpen niet los zit terwijl deze is vergrendeld.
- 3 Breng bij frequente reiniging smeervet met een lange standtijd aan op de rollagers van de wielen.
- 4 Controleer dat de wielen niet zijn vastgelopen.



Opmerking

Onder normale omstandigheden zijn de wielen onderhoudsvrij.

4.2 Aanwijzingen voor reiniging



LET OP

Schade aan het weegplatform door onjuist gebruik van reinigingsmiddelen

- 1 Gebruik uitsluitend reinigingsmiddelen die geschikt zijn voor de kunststoffen die zijn verwerkt in het weegplatform.
- 2 Gebruik desinfectie- en reinigingsmiddelen uitsluitend in overeenstemming met de instructies van de fabrikant.
- 3 Gebruik geen sterke zuren en basen en geen reinigingsmiddelen met een hoge chloorconcentratie. Vermijd stoffen met een hoge of lage pH-waarde omdat deze stoffen de kans op corrosie vergroten.
- 4 Wees in het bijzonder voorzichtig bij het reinigen van de weegcel.



LET OP

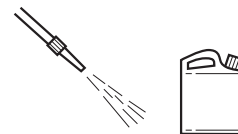
Speciale opmerkingen voor reiniging van de PHD779 Lift

- 1 Laat na het gebruik van waterstralen met een temperatuur hoger dan 60 °C het hefframe afkoelen naar een temperatuur van ten hoogste 40 °C voordat de werkzaamheden worden hervat.
- 2 Draag een veiligheidshelm tijdens het reinigen van een weegplatform in de verticale stand.
- 3 Controleer dat het reinigingsmiddel niet leidt tot corrosie van de gasveren.
- 4 Het reinigingsmiddel mag niet leiden tot corrosie van de messing onderdelen van de gasveerafdichtingen.
- 5 Bescherm de gasveren tegen vuil en beschadigingen.

- Verwijder regelmatig vuil en aangekoekte resten van de buiten- en binnenzijde van het weegplatform. De te volgen procedure is afhankelijk van het type oppervlak en van de heersende omgevingsomstandigheden op de installatielocatie.

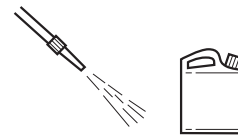
Reinigen in een natte omgeving

- Gebruik een waterstraal tot 80 °C en maximaal 8 bar op een afstand van ten minste 40 cm.
- Gebruik milde reinigingsmiddelen.



Reinigen in een corrosieve omgeving

- Gebruik een waterstraal tot 80 °C en maximaal 8 bar op een afstand van ten minste 40 cm.
- Verwijder regelmatig corrosieve stoffen.
- Gebruik desinfectie- en reinigingsmiddelen uitsluitend in overeenstemming met de specificaties en instructies van de fabrikant.



4.3 Vervolgbehandeling

Voer onderstaande vervolgbehandeling uit ter bescherming van het weegplatform:

- Spoel het weegplatform af met schoon water en verwijder alle resten van het reinigingsmiddel.
- Droog het weegplatform af met een pluisvrije doek.
- Behandel de buitenzijde van roestvrij stalen weegplatformen met een olie die geschikt is voor levensmiddelen.



4.4 Afvoer

Volgens de Europese richtlijn 2012/19/EU betreffende afgedankte elektrische en elektronische apparatuur (AEEA) mag dit apparaat niet worden afgevoerd als huishoudelijk afval. Dit geldt ook voor landen buiten de EU, op basis van de daar geldende specifieke vereisten.

Voer dit product overeenkomstig de plaatselijke voorschriften af naar het verzamelpunt dat is aangewezen voor elektrische en elektronische apparatuur. In geval van vragen kunt u contact opnemen met de verantwoordelijke autoriteiten of de leverancier waar u dit apparaat hebt gekocht. Als dit apparaat aan derden wordt doorgegeven, moet ook de inhoud van deze verordening worden doorgegeven.



Afvoeren van gasveren

Beschadigde gasveren moeten worden vervangen.



WAARSCHUWING

Gasveren staan onder een zeer hoge druk.

- Neem contact op met de METTLER TOLEDO service of uw lokale vertegenwoordiger om beschadigde gasveren te laten vervangen en af te voeren.

5 Technische gegevens en gebruiksgrenzen

5.1 Maximale ijkwaarde

De ijkwaarde is afhankelijk van de weegcel en de weegschaalconfiguratie.

De maximale ijkwaarde staat hieronder vermeld.

Capaciteit	Maximale ijkwaarde in [kg]				
	1 x 3.000e SR	1 x 6.000e SR	2 x 3.000e MR	2 x 6.000e MR	2 x 10.000e MR
300 kg	0,1	0,05	150 kg / 0,05 300 kg / 0,1	120 kg / 0,02 300 kg / 0,05	200 kg / 0,02 300 kg / 0,05
600 kg	0,2	0,1	300 kg / 0,1 600 kg / 0,2	300 kg / 0,05 600 kg / 0,1	500 kg / 0,05 600 kg / 0,1
1200 kg	–	0,2	–	600 kg / 0,1 1200 kg / 0,2	–
1500 kg	0,5	–	600 kg / 0,2 1500 kg / 0,5	–	1000 kg / 0,1 1500 kg / 0,2
2000 kg	1,0 (2.000 e)	0,5	1500 kg / 0,5 2000 kg / 1,0	1200 kg / 0,2 2000 kg / 0,5	1000 kg / 0,1 2000 kg / 0,2

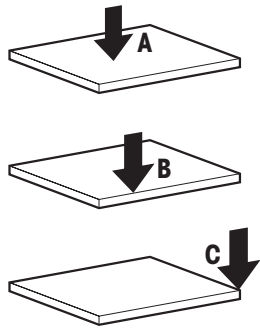
SR: Single Range/één bereik

MR: Multi Range/meerdere bereiken

5.2 Maximale toegestane belasting

Alle weegplatformen zijn voorzien van een beveiliging tegen overbelasting. Wanneer de belasting echter de maximale toegestane belasting overschrijdt, kunnen mechanische onderdelen beschadigen.

De statische belastingcapaciteit, d.w.z. de maximale toegestane belasting, is afhankelijk van de positie van de belasting (posities A – C).

Platform	Positie			
	A	B	C	
PHD779 300	880 kg	440 kg	220 kg	
PHD779 600	2540 kg	1270 kg	635 kg	
PHD779 1200	2540 kg	1270 kg	635 kg	
PHD779 1500	5280 kg	2640 kg	1320 kg	
PHD779 2000	5280 kg	2640 kg	1320 kg	

5.3 Omgevingsomstandigheden

Het weegplatform mag uitsluitend worden gebruikt in een temperatuurbereik van –10 °C tot +40 °C.

5.4 Specificaties voor Categorie 3

De specificaties voor Categorie 3 staan vermeld in de betreffende typegoedkeuringsdocumenten, zie de tabel in [Overige documenten ► pagina 5].

To protect your product's future:

METTLER TOLEDO Service assures the quality, measuring accuracy and preservation of value of this product for years to come.

Please request full details about our attractive terms of service.

► www.mt.com/service

www.mt.com

For more information

Mettler-Toledo (Albstadt) GmbH

Unter dem Malesfelsen 34
D-72458 Albstadt, Germany
Tel. +49 7431-14 0
Fax +49 7431-14 232
www.mt.com

Subject to technical changes.
© 05/2023 METTLER TOLEDO. All rights reserved.
30845758A CEU



30845758