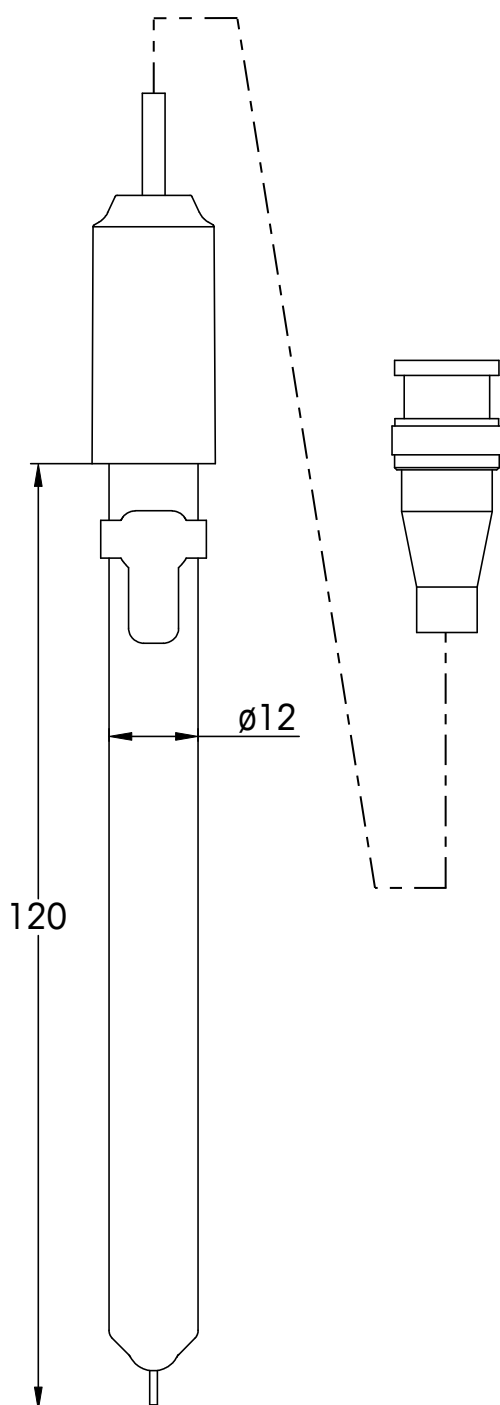


LE501

Glass ORP electrode

ORP Ref °C ISM



Sensor type	ORP
Order number	51340338
Specifications	
measuring range	-2000...2000 mV
zero point (pH)	-
temperature range	0...80 °C
temperature probe	-
shaft material	glass
membrane glass	-
membrane resistance	-
reference system	Ag / AgCl
reference diaphragm	ceramic
reference electrolyte	3 mol/L KCl AgCl sat.
bridge electrolyte	-
electrode head	-
cable length	1.0 m
connector	BNC
cell constant (cm ⁻¹)	-
cell type	-
indicating metal	platinum pin
Storage	
3M KCl (51350072)	