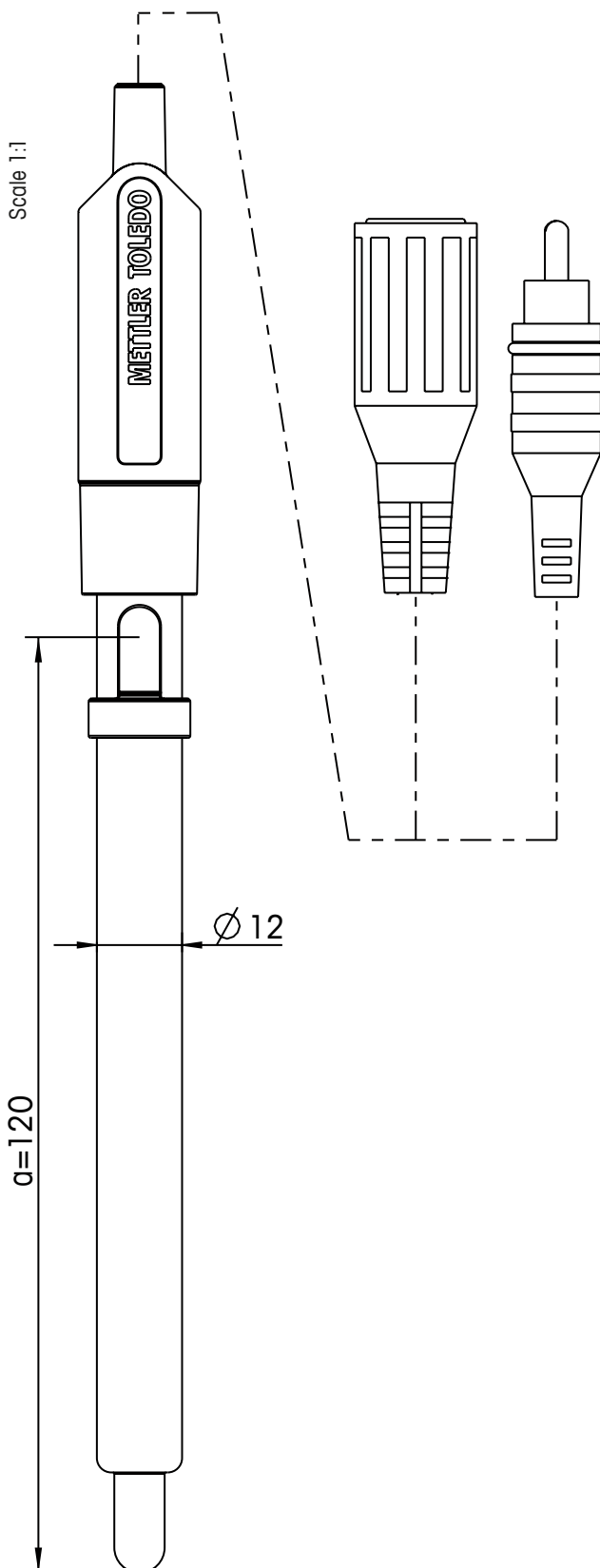


# InLab<sup>®</sup> Routine Go-ISM

pH Ref °C ISM



For portable applications in the lab and outdoor;  
fast and highly chemical resistant



**Sensor type** combined pH electrode

**Order number** 30248832

### Specifications

pH range 0...14  
zero point (pH) 7.00 ± 0.25

temperature range 0...100 °C  
temperature probe NTC 30 kΩ

shaft material glass  
membrane glass HA  
membrane resistance < 600 MΩ

reference system ARGENTHAL™  
reference diaphragm ceramic  
reference electrolyte 3 mol/L KCl  
bridge electrolyte -

electrode head -  
cable length 1.8 m  
connector BNC / RCA (Cinch) IP67

cell constant (cm<sup>-1</sup>) -  
cell type -

indicating metal -

### Storage

InLab storage solution (30111142)  
or 3 mol/L KCl (51350072)